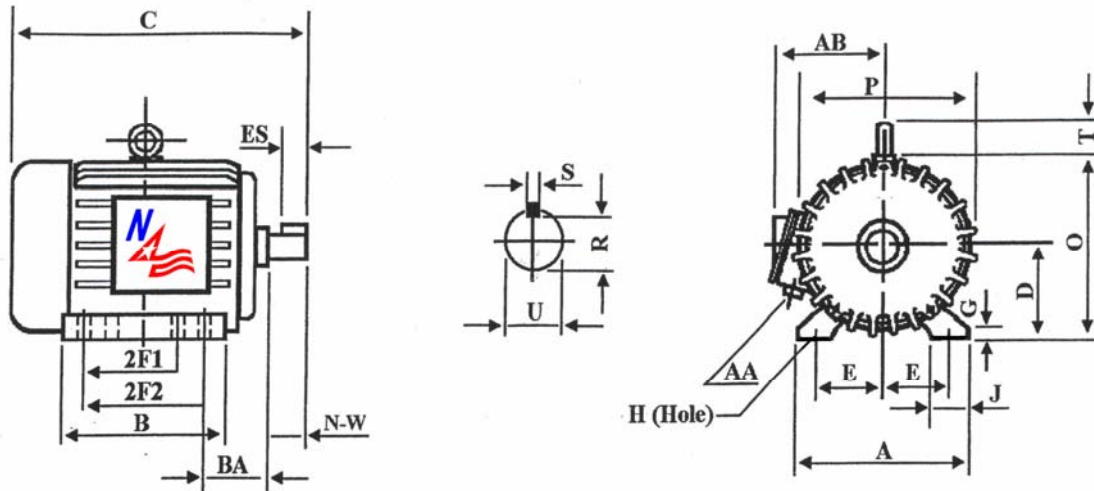


# OWP12150

## Special Purpose Oil Well Pump Motor

NEMA DESIGN D - THREE PHASE - HIGH TORQUE/HIGH SLIP ( 5-8%)



### DIMENSIONS – INCHES

A	B	C	D	E	2F1	2F2	G	H	J	O
22	20.5	57.4	11	18	20	25	1.38	0.81	3.35	21.8
P	R	S	T	U	ES	AA	AB	BA	N-W	Mount
21.6	2.88	0.875	4.25	3.375	6.91	3	19.5	7.5	10.125	F2

### PERFORMANCE DATA

Three Phase – 60Hz - 230/460/796V – NEMA Design D - Max. Ambient: 40° C

HP	Speed	Frame	NEMA Code	Efficiency (%)			Power Factor			Torque (ft-lb)		
				100%	75%	50%	100%	75%	50%	FLT	BDT	LRT
150	1105	449TZ	G	87.8	90.5	90.7	0.886	0.817	0.695	712.94	1974.84	2573.71
Amps ( 460V)		DE Bearing	ODE Bearing	Insulation Class	Enclosure Type	Service Factor	Weight (lbs)					
FLA	LRA											
177.5	1160	6319	6319	F	TEFC	1.15	2539					



North American Electric, Inc. 350 Vaiden Drive, Hernando, MS 38632

Toll Free: 1-800-884-0405 Phone: 662-429-8049 Fax: 662-429-8546

[www.northamericanelectric-inc.com](http://www.northamericanelectric-inc.com)



**60 Hz DATA FOR 3 PHASE AC INDUCTION MOTOR AS IT APPEARS ON THE NAMEPLATE.**

## **OWP12150**

<b>CAT. NO: OWP12150</b>		<b>HP: 150</b>		<b>RATING: CONT.</b>	
<b>FRAME: 449TZ</b>	<b>RPM: 1105</b>		<b>Hz: 60</b>	<b>PHASE: 3</b>	
<b>VOLTAGE: 230/460/796V</b>			<b>DESIGN: D</b>	<b>P.F.: 0.886</b>	
<b>AMP: 355.0/177.5/102.5</b>			<b>NEMA NOM. EFF.: 87.8%</b>		
<b>DRIVE END BRG: 6319</b>	<b>CODE: G</b>		<b>NEMA MIN. EFF.:</b>		
<b>OPP/END BRG: 6319</b>	<b>S.F.: 1.15</b>		<b>INS CLASS: F</b>		
<b>MAX. AMB: 40° C</b>		<b>ENCL: TEFC</b>			
<b>MOTOR WEIGHT: 2539LBS</b>					

**Note: F.L. = Full Load P.F. = Power Factor S.F. = Service Factor**



North American Electric, Inc. 350 Vaiden Drive, Hernando, MS 38632  
 Toll Free: 1-800-884-0405 Phone: 662-429-8049 Fax: 662-429-8546  
[www.northamericanelectric-inc.com](http://www.northamericanelectric-inc.com)