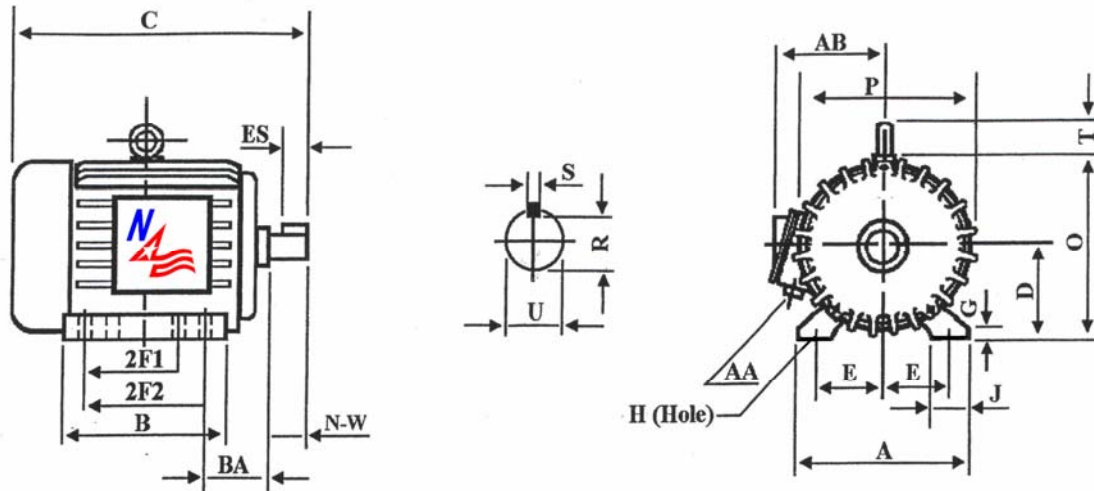


# XP1210

## General Purpose Explosion Proof Motor

Class I, Division I, Groups C & D and Class II, Division I, Groups E, F and G - Operating Temperature Code: T3C



### DIMENSIONS – INCHES

A	B	C	D	E	2F1	2F2	G	H	J	O
12.5	12.5	26.2	6.25	10	8.25	10	0.9	0.5	2.8	13.4
P	R	S	T	U	ES	AA	AB	BA	N-W	Mount
14.1	1.416	0.375	2.4	1.625	2.91	1.25	13.6	4.25	4	F1

### PERFORMANCE DATA

Three Phase – 60Hz - 208-230/460V – NEMA Design B – Max. Ambient: 40° C

HP	Speed	Frame	NEMA Code	Efficiency (%)			Power Factor			Torque (ft-lb)		
				100%	75%	50%	100%	75%	50%	FLT	BDT	LRT
10	1175	256T	H	89.5	90.6	90.5	0.803	0.804	0.706	44.7	92.1	69.6
Amps ( 460V)		DE Bearing	ODE Bearing	Insulation Class	Enclosure Type	Service Factor	Weight (lbs)					
FLA	LRA											
13.1	81	6309	6309	F	TEFC	1.15	370					





**50Hz AND 60Hz DATA FOR 3 PHASE AC INDUCTION MOTOR AS IT APPEARS ON THE NAMEPLATE.**

## **XP1210**

CAT. NO: XP1210		FRAME: 256T		ENCL: TEFC		PHASE: 3	
SHAFT END BRG: 6309				OPP/END BRG: 6309			
MAX. AMB: 40° C		INS CLASS: F		RATING: CONT.		MOTOR WEIGHT: 370LBS	
USABLE ON 208V 60HZ AT: 29.0 MAX. AMPS						SER:	
DIVISION I, CASS I, GROUPS C & D CLASS II, GROUPS E, F & G						OP TEMP CODE: T3C	
60 HERTZ DATA	HP: 10 RPM: 1175			HP: 10 RPM: 965			50 HERTZ DATA
	VOLTAGE: 230/460V			VOLTAGE: 190/380V			
	F. L. AMPS: 26.2/13.1			F. L. AMPS: 30.2/15.1			
	S.F. AMPS: 29.6/14.8			S.F. AMPS: 30.2/15.1			
	S.F. 1.15	DESIGN: B	CODE: H	S.F. 1.0	DESIGN:	CODE: H	
	NEMA NOM. EFF: 89.5%			NEMA NOM. EFF: 87.5%			
	NOM. P. F.: 0.803			NOM. P. F.: 0.862			
	NEMA MIN. EFF.: 87.5%			NEMA MIN. EFF.: 85.5%			
	MAX. KVAR: 4.77			MAX. KVAR: 3.07			

**Note: F.L. = Full Load      P.F. = Power Factor      S.F. = Service Factor**



North American Electric, Inc. 350 Vaiden Drive, Hernando, MS 38632  
 Toll Free: 1-800-884-0405 Phone: 662-429-8049 Fax: 662-429-8546  
[www.northamericanelectric-inc.com](http://www.northamericanelectric-inc.com)