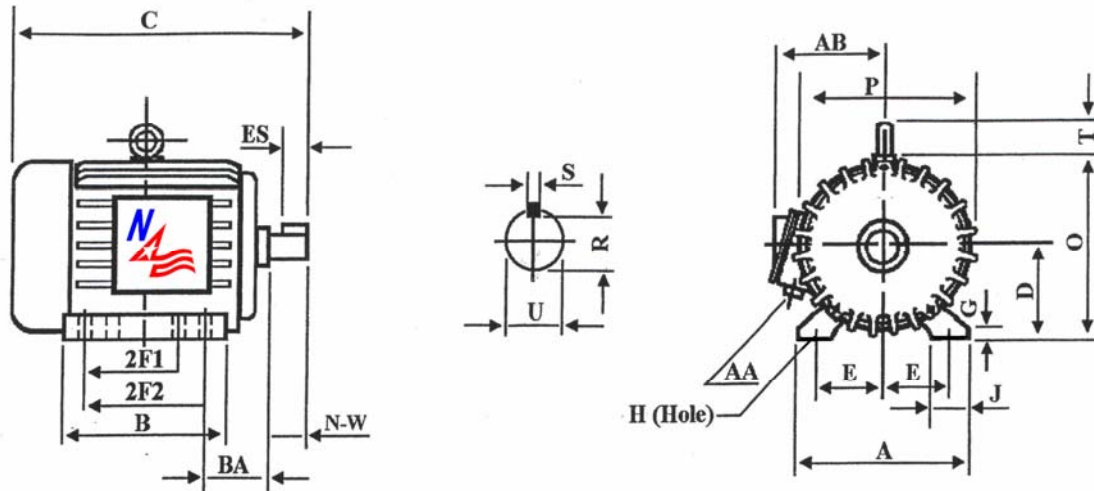


XP1805

General Purpose Explosion Proof Motor

Class I, Division I, Groups C & D and Class II, Division I, Groups E, F and G - Operating Temperature Code: T3C



DIMENSIONS – INCHES

A	B	C	D	E	2F1	2F2	G	H	J	O
9	8	17.1	4.5	7.5	4.5	5.5	0.7	0.4	1.8	9
P	R	S	T	U	ES	AA	AB	BA	N-W	Mount
9.8	0.996	0.25	1.6	1.125	1.78	0.75	8.3	2.75	2.75	F1

PERFORMANCE DATA

Three Phase – 60Hz - 208-230/460V – NEMA Design B – Max. Ambient: 40° C

HP	Speed	Frame	NEMA Code	Efficiency (%)			Power Factor			Torque (ft-lb)		
				100%	75%	50%	100%	75%	50%	FLT	BDT	LRT
5	1760	184T	G	87.5	89.1	88.7	0.870	0.815	0.712	14.92	34.5	28.5
Amps (460V)		DE Bearing	ODE Bearing	Insulation Class	Enclosure Type	Service Factor	Weight (lbs)					
FLA	LRA											
6.1	46	6306-ZZ	6306-ZZ	F	TEFC	1.15	143					





50Hz AND 60Hz DATA FOR 3 PHASE AC INDUCTION MOTOR AS IT APPEARS ON THE NAMEPLATE.

XP1805

CAT. NO: XP1805		FRAME: 184T		ENCL: TEFC		PHASE: 3	
SHAFT END BRG: 6306-ZZ				OPP/END BRG: 6306-ZZ			
MAX. AMB: 40° C		INS CLASS: F		RATING: CONT.		MOTOR WEIGHT: 143LBS	
USABLE ON 208V 60HZ AT: 13.5 MAX. AMPS						SER:	
DIVISION I, CASS I, GROUPS C & D CLASS II, GROUPS E, F & G						OP TEMP CODE: T3C	
60 HERTZ DATA	HP: 5 RPM: 1760			HP: 5 RPM: 1440			50 HERTZ DATA
	VOLTAGE: 230/460V			VOLTAGE: 190/380V			
	F. L. AMPS: 12.2/6.1			F. L. AMPS: 14.9/7.45			
	S.F. AMPS: 14.0/7.0			S.F. AMPS: 14.9/7.45			
	S.F. 1.15	DESIGN: B	CODE: G	S.F. 1.0	DESIGN:	CODE: H	
	NEMA NOM. EFF: 87.5%			NEMA NOM. EFF: 85.5%			
	NOM. P. F.: 0.870			NOM. P. F.: 0.883			
	NEMA MIN. EFF.: 85.5%			NEMA MIN. EFF.: 82.5%			
	MAX. KVAR: 1.96			MAX. KVAR: 1.6			

Note: F.L. = Full Load P.F. = Power Factor S.F. = Service Factor



North American Electric, Inc. 350 Vaiden Drive, Hernando, MS 38632
Toll Free: 1-800-884-0405 Phone: 662-429-8049 Fax: 662-429-8546
www.northamericanelectric-inc.com