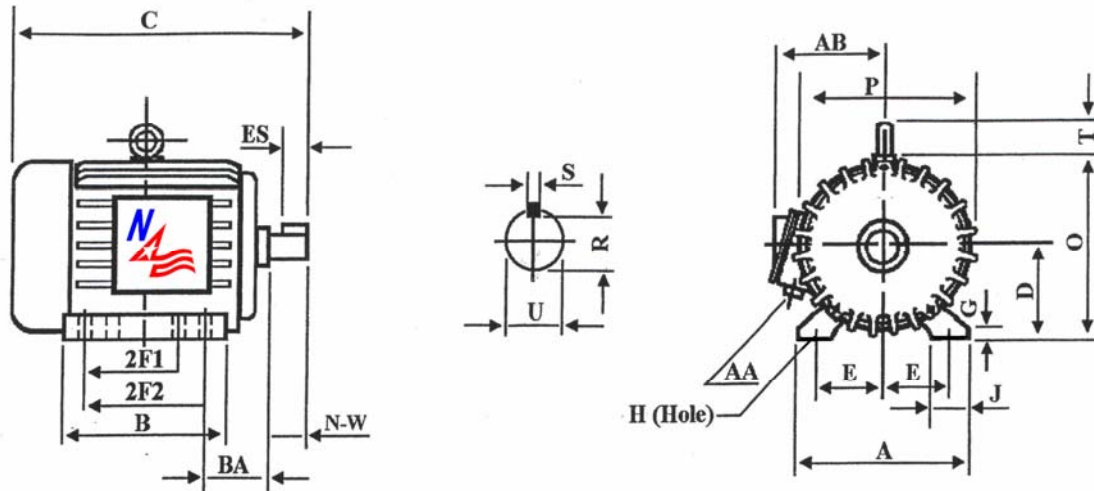


# XP1840

## General Purpose Explosion Proof Motor

Class I, Division I, Groups C & D and Class II, Division I, Groups E, F and G - Operating Temperature Code: T3C



### DIMENSIONS – INCHES

A	B	C	D	E	2F1	2F2	G	H	J	O
16	15.5	33.3	8	12.5	10.5	12	1.1	0.7	2.8	17.5
P	R	S	T	U	ES	AA	AB	BA	N-W	Mount
18	1.854	0.5	2.5	2.125	3.91	2	15.6	5.25	5.25	F1

### PERFORMANCE DATA

Three Phase – 60Hz - 208-230/460V – NEMA Design B – Max. Ambient: 40° C

HP	Speed	Frame	NEMA Code	Efficiency (%)			Power Factor			Torque (ft-lb)		
				100%	75%	50%	100%	75%	50%	FLT	BDT	LRT
40	1780	324T	G	93.0	93.8	93.5	0.892	0.883	0.816	118.02	243	172
Amps ( 460V)		DE Bearing	ODE Bearing	Insulation Class	Enclosure Type	Service Factor	Weight (lbs)					
FLA	LRA											
45.0	290	6312	6312	F	TEFC	1.15	734					



North American Electric, Inc. 350 Vaiden Drive, Hernando, MS 38632

Toll Free: 1-800-884-0405 Phone: 662-429-8049 Fax: 662-429-8546

[www.northamericanelectric-inc.com](http://www.northamericanelectric-inc.com)



**50Hz AND 60Hz DATA FOR 3 PHASE AC INDUCTION MOTOR AS IT APPEARS ON THE NAMEPLATE.**

## **XP1840**

CAT. NO: XP1840		FRAME: 324T		ENCL: TEFC		PHASE: 3	
SHAFT END BRG: 6312				OPP/END BRG: 6312			
MAX. AMB: 40° C		INS CLASS: F		RATING: CONT.		MOTOR WEIGHT: 734LBS	
USABLE ON 208V 60HZ AT: 99.5 MAX. AMPS						SER:	
DIVISION I, CASS I, GROUPS C & D CLASS II, GROUPS E, F & G						OP TEMP CODE: T3C	
60 HERTZ DATA	HP: 40 RPM: 1780			HP: 40 RPM: 1470			50 HERTZ DATA
	VOLTAGE: 230/460V			VOLTAGE: 190/380V			
	F. L. AMPS: 90.0/45.0			F. L. AMPS: 110.6/55.3			
	S.F. AMPS: 103.4/51.7			S.F. AMPS: 110.6/55.3			
	S.F. 1.15	DESIGN: B	CODE: G	S.F. 1.0	DESIGN:	CODE: H	
	NEMA NOM. EFF: 93.0%			NEMA NOM. EFF: 91.7%			
	NOM. P. F.: 0.892			NOM. P. F.: 0.899			
	NEMA MIN. EFF.: 91.7%			NEMA MIN. EFF.: 90.2%			
	MAX. KVAR: 10.7			MAX. KVAR: 8.33			

**Note: F.L. = Full Load      P.F. = Power Factor      S.F. = Service Factor**



**North American Electric, Inc. 350 Vaiden Drive, Hernando, MS 38632**  
**Toll Free: 1-800-884-0405 Phone: 662-429-8049 Fax: 662-429-8546**  
[www.northamericanelectric-inc.com](http://www.northamericanelectric-inc.com)