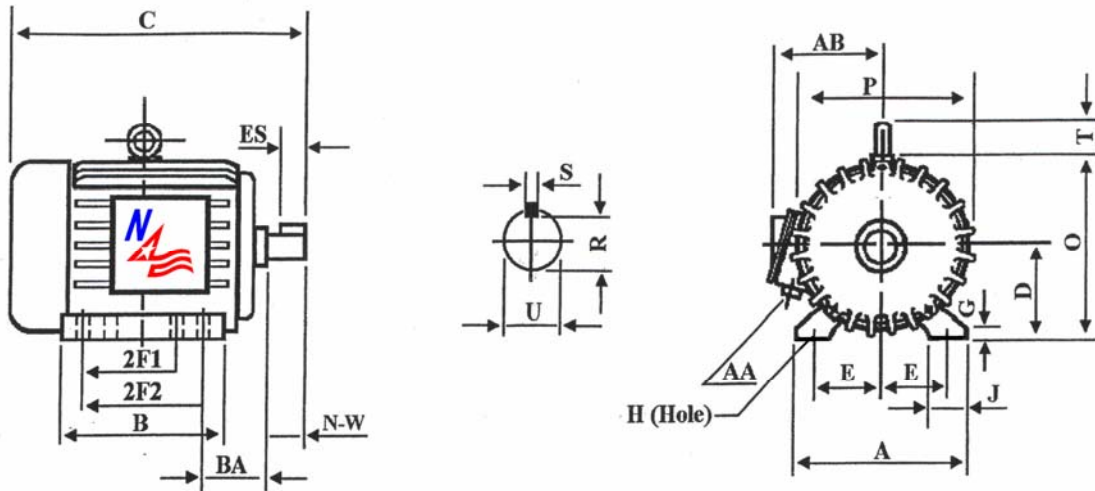


## XP1875

### General Purpose Explosion Proof Motor

Class I, Division I, Groups C & D and Class II, Division I, Groups E, F and G - Operating Temperature Code: T3C



#### DIMENSIONS – INCHES

A	B	C	D	E	2F1	2F2	G	H	J	O
18	16.2	35.5	9	14	11.25	12.25	1.1	0.7	3	19
P	R	S	T	U	ES	AA	AB	BA	N-W	Mount
19.5	2.021	0.625	2.5	2.375	4.28	3	16.5	5.88	5.88	F1

#### PERFORMANCE DATA

Three Phase – 60Hz - 208-230/460V – NEMA Design B – Max. Ambient: 40° C

HP	Speed	Frame	NEMA Code	Efficiency (%)			Power Factor			Torque (ft-lb)		
				100%	75%	50%	100%	75%	50%	FLT	BDT	LRT
75	1775	365T	G	94.1	93.7	93.3	0.896	0.914	0.87	221.92	455	322
Amps ( 460V)		DE Bearing	ODE Bearing	Insulation Class	Enclosure Type	Service Factor	Weight (lbs)					
FLA	LRA											
81.9	542	6313	6313	F	TEFC	1.15	1047					





**50Hz AND 60Hz DATA FOR 3 PHASE AC INDUCTION MOTOR AS IT APPEARS ON THE NAMEPLATE.**

## **XP1875**

CAT. NO: XP1875		FRAME: 365T		ENCL: TEFC		PHASE: 3	
SHAFT END BRG: 6313				OPP/END BRG: 6313			
MAX. AMB: 40° C		INS CLASS: F		RATING: CONT.		MOTOR WEIGHT: 1047LBS	
USABLE ON 208V 60HZ AT: 181.1 MAX. AMPS						SER:	
DIVISION I, CASS I, GROUPS C & D CLASS II, GROUPS E, F & G						OP TEMP CODE: T3C	
60 HERTZ DATA	HP: 75 RPM: 1775			HP: 75 RPM: 1470			50 HERTZ DATA
	VOLTAGE: 230/460V			VOLTAGE: 190/380V			
	F. L. AMPS: 163.8/81.9			F. L. AMPS: 201.6/100.8			
	S.F. AMPS: 189.6/94.8			S.F. AMPS: 201.6/100.8			
	S.F. 1.15	DESIGN: B	CODE: G	S.F. 1.0	DESIGN:	CODE: H	
	NEMA NOM. EFF: 94.1%			NEMA NOM. EFF: 93.0%			
	NOM. P. F.: 0.896			NOM. P. F.: 0.891			
	NEMA MIN. EFF.: 93.0%			NEMA MIN. EFF.: 91.7%			
	MAX. KVAR: 16.6			MAX. KVAR: 13.4			

**Note: F.L. = Full Load      P.F. = Power Factor      S.F. = Service Factor**



**North American Electric, Inc. 350 Vaiden Drive, Hernando, MS 38632**

**Toll Free: 1-800-884-0405 Phone: 662-429-8049 Fax: 662-429-8546**

**[www.northamericanelectric-inc.com](http://www.northamericanelectric-inc.com)**