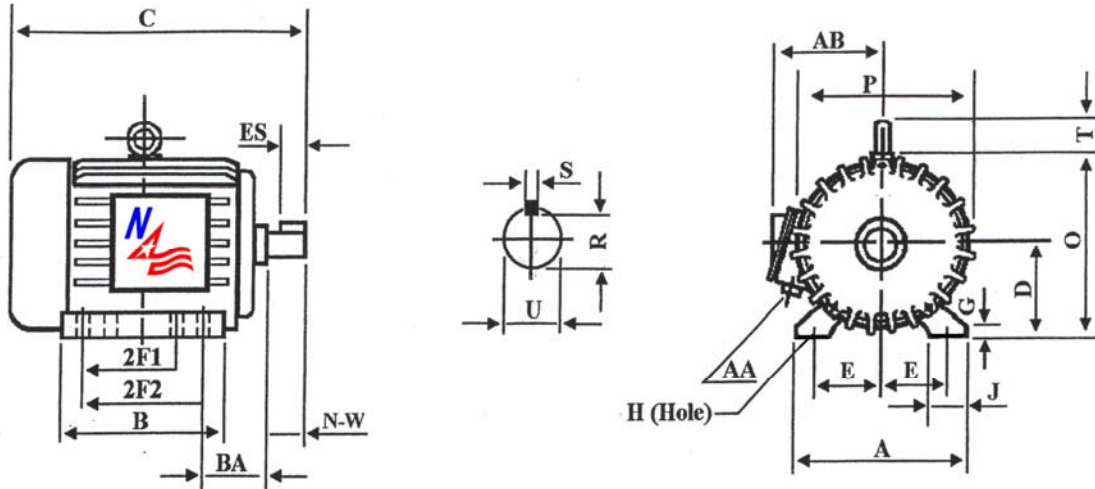


# XP3603

## General Purpose Explosion Proof Motor

Class I, Division I, Groups C & D and Class II, Division I, Groups E, F and G - Operating Temperature Code: T3C



### DIMENSIONS – INCHES

A	B	C	D	E	2F1	2F2	G	H	J	O
9	8	17.1	4.5	7.5	4.5	5.5	0.7	0.4	1.8	9
P	R	S	T	U	ES	AA	AB	BA	N-W	Mount
9.8	0.996	0.25	1.6	1.125	1.78	0.75	8.3	2.75	2.75	F1

### PERFORMANCE DATA

Three Phase – 60Hz - 208-230/460V – NEMA Design B – Max. Ambient: 40° C

HP	Speed	Frame	NEMA Code	Efficiency (%)			Power Factor			Torque (ft-lb)		
				100%	75%	50%	100%	75%	50%	FLT	BDT	LRT
3	3540	182T	K	85.5	85.9	84.9	0.892	0.835	0.734	4.45	10.5	7.4
Amps ( 460V)		DE Bearing	ODE Bearing	Insulation Class	Enclosure Type	Service Factor	Weight (lbs)					
FLA	LRA											
3.6	32	6306-ZZ	6306-ZZ	F	TEFC	1.15	115					





**50Hz AND 60Hz DATA FOR 3 PHASE AC INDUCTION MOTOR AS IT APPEARS ON THE NAMEPLATE.**

## **XP3603**

CAT. NO: XP3603		FRAME: 182T		ENCL: TEFC		PHASE: 3	
SHAFT END BRG: 6306-ZZ				OPP/END BRG: 6306-ZZ			
MAX. AMB: 40° C		INS CLASS: F		RATING: CONT.		MOTOR WEIGHT: 115LBS	
USABLE ON 208V 60HZ AT: 8.0 MAX. AMPS						SER:	
DIVISION I, CASS I, GROUPS C & D CLASS II, GROUPS E, F & G						OP TEMP CODE: T3C	
60 HERTZ DATA	HP: 3 RPM: 3540			HP: 3 RPM: 2910			50 HERTZ DATA
	VOLTAGE: 230/460V			VOLTAGE: 190/380V			
	F. L. AMPS: 7.2/3.6			F. L. AMPS: 8.68/4.34			
	S.F. AMPS: 8.3/4.2			S.F. AMPS: 8.68/4.34			
	S.F. 1.15	DESIGN: B	CODE: K	S.F. 1.0	DESIGN:	CODE: L	
	NEMA NOM. EFF: 85.5%			NEMA NOM. EFF: 84.0%			
	NOM. P. F.: 0.892			NOM. P. F.: 0.917			
	NEMA MIN. EFF.: 82.5%			NEMA MIN. EFF.: 81.5%			
	MAX. KVAR: 0.983			MAX. KVAR: 0.90			

**Note: F.L. = Full Load      P.F. = Power Factor      S.F. = Service Factor**



**North American Electric, Inc. 350 Vaiden Drive, Hernando, MS 38632**  
**Toll Free: 1-800-884-0405 Phone: 662-429-8049 Fax: 662-429-8546**  
[www.northamericanelectric-inc.com](http://www.northamericanelectric-inc.com)