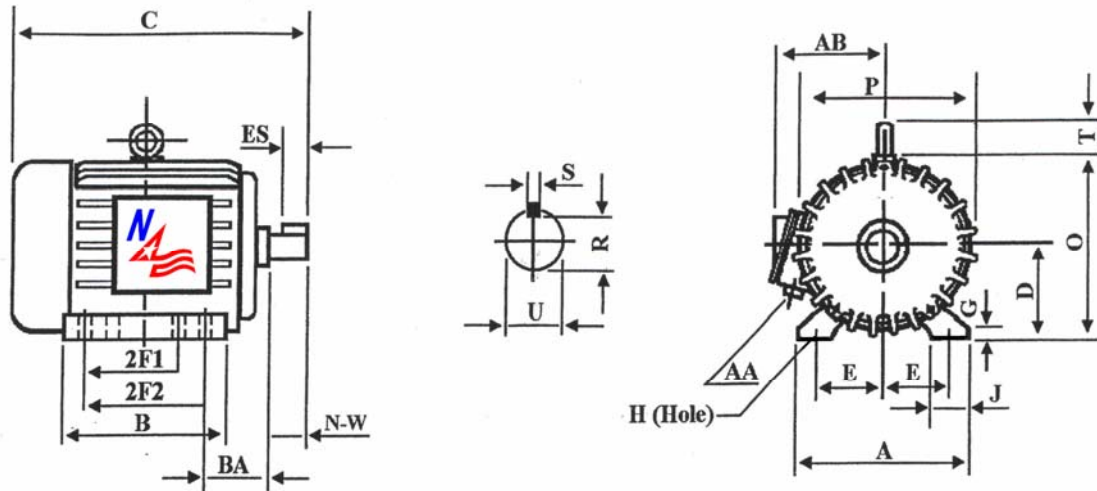


XP3620

General Purpose Explosion Proof Motor

Class I, Division I, Groups C & D and Class II, Division I, Groups E, F and G - Operating Temperature Code: T3C



DIMENSIONS – INCHES

A	B	C	D	E	2F1	2F2	G	H	J	O
12.5	12.5	26.2	6.25	10	8.25	10	0.9	0.5	2.8	13.4
P	R	S	T	U	ES	AA	AB	BA	N-W	Mount
14.1	1.416	0.375	2.4	1.625	2.91	1.25	13.6	4.25	4	F1

PERFORMANCE DATA

Three Phase – 60Hz - 208-230/460V – NEMA Design B – Max. Ambient: 40° C

HP	Speed	Frame	NEMA Code	Efficiency (%)			Power Factor			Torque (ft-lb)		
				100%	75%	50%	100%	75%	50%	FLT	BDT	LRT
20	3520	256T	G	90.2	92.0	92.0	0.896	0.914	0.866	29.84	61.3	40.4
Amps (460V)		DE Bearing	ODE Bearing	Insulation Class	Enclosure Type	Service Factor	Weight (lbs)					
FLA	LRA											
23.3	145	6309	6309	F	TEFC	1.15	429					



North American Electric, Inc. 350 Vaiden Drive, Hernando, MS 38632

Toll Free: 1-800-884-0405 Phone: 662-429-8049 Fax: 662-429-8546

www.northamericanelectric-inc.com



50Hz AND 60Hz DATA FOR 3 PHASE AC INDUCTION MOTOR AS IT APPEARS ON THE NAMEPLATE.

XP3620

CAT. NO: XP3620		FRAME: 256T		ENCL: TEFC		PHASE: 3	
SHAFT END BRG: 6309				OPP/END BRG: 6309			
MAX. AMB: 40° C		INS CLASS: F		RATING: CONT.		MOTOR WEIGHT: 429LBS	
USABLE ON 208V 60HZ AT: 182.7 MAX. AMPS						SER:	
DIVISION I, CASS I, GROUPS C & D CLASS II, GROUPS E, F & G						OP TEMP CODE: T3C	
60 HERTZ DATA	HP: 20 RPM: 3520			HP: 20 RPM: 2910			50 HERTZ DATA
	VOLTAGE: 230/460V			VOLTAGE: 190/380V			
	F. L. AMPS: 46.6/23.3			F. L. AMPS: 55.6/27.8			
	S.F. AMPS: 53.8/26.9			S.F. AMPS: 55.6/27.8			
	S.F. 1.15	DESIGN: B	CODE: G	S.F. 1.0	DESIGN:	CODE: H	
	NEMA NOM. EFF: 90.2%			NEMA NOM. EFF: 88.5%			
	NOM. P. F.: 0.896			NOM. P. F.: 0.926			
	NEMA MIN. EFF.: 88.5%			NEMA MIN. EFF.: 86.5%			
	MAX. KVAR: 4.73			MAX. KVAR: 3.67			

Note: F.L. = Full Load P.F. = Power Factor S.F. = Service Factor



North American Electric, Inc. 350 Vaiden Drive, Hernando, MS 38632

Toll Free: 1-800-884-0405 Phone: 662-429-8049 Fax: 662-429-8546

www.northamericanelectric-inc.com