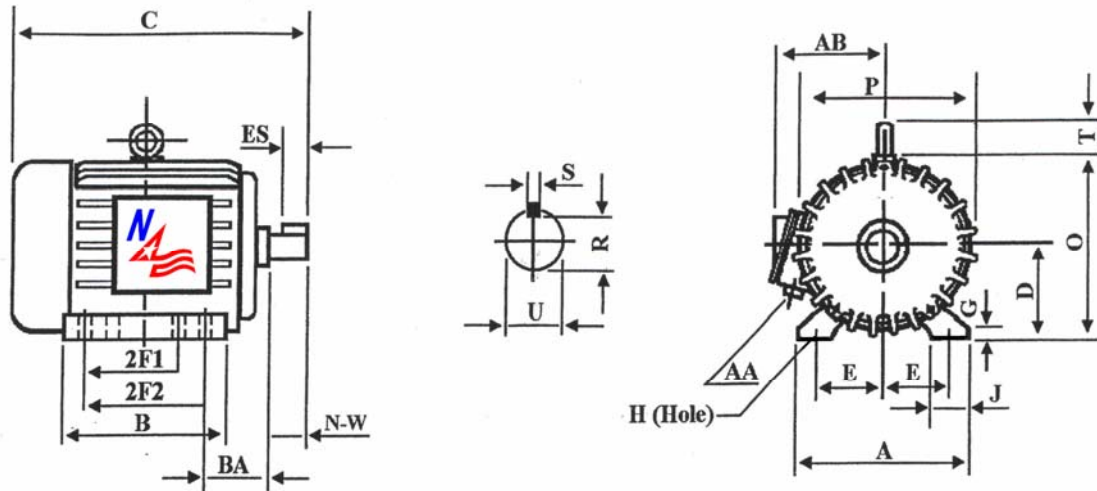


XP3630

General Purpose Explosion Proof Motor

Class I, Division I, Groups C & D and Class II, Division I, Groups E, F and G - Operating Temperature Code: T3C



DIMENSIONS – INCHES

A	B	C	D	E	2F1	2F2	G	H	J	O
14	14	28.2	7	11	9.5	11	0.9	0.5	2.8	15.2
P	R	S	T	U	ES	AA	AB	BA	N-W	Mount
15.8	1.416	0.375	2.4	1.625	1.91	1.5	14.3	4.75	3.25	F1

PERFORMANCE DATA

Three Phase – 60Hz - 208-230/460V – NEMA Design B – Max. Ambient: 40° C

HP	Speed	Frame	NEMA Code	Efficiency (%)			Power Factor			Torque (ft-lb)		
				100%	75%	50%	100%	75%	50%	FLT	BDT	LRT
30	3545	286TS	G	91.0	92.4	92.3	0.911	0.924	0.884	44.45	91.6	60.3
Amps (460V)		DE Bearing	ODE Bearing	Insulation Class	Enclosure Type	Service Factor	Weight (lbs)					
FLA	LRA											
33.3	217	6310	6310	F	TEFC	1.15	528					





50Hz AND 60Hz DATA FOR 3 PHASE AC INDUCTION MOTOR AS IT APPEARS ON THE NAMEPLATE.

XP3630

CAT. NO: XP3630		FRAME: 286TS		ENCL: TEFC		PHASE: 3	
SHAFT END BRG: 6310				OPP/END BRG: 6310			
MAX. AMB: 40° C		INS CLASS: F		RATING: CONT.		MOTOR WEIGHT: 528LBS	
USABLE ON 208V 60HZ AT: 73.6 MAX. AMPS						SER:	
60 HERTZ DATA	HP: 30 RPM: 3545			HP: 30 RPM: 2930			50 HERTZ DATA
	VOLTAGE: 230/460V			VOLTAGE: 190/380V			
	F. L. AMPS: 66.6/33.3			F. L. AMPS: 139.2/69.6			
	S.F. AMPS: 77.2/38.6			S.F. AMPS: 139.2/69.6			
	S.F. 1.15	DESIGN: B	CODE: G	S.F. 1.0	DESIGN:	CODE: H	
	NEMA NOM. EFF: 91.0%			NEMA NOM. EFF: 89.5%			
	NOM. P. F.: 0.911			NOM. P. F.: 0.924			
	NEMA MIN. EFF.: 89.5%			NEMA MIN. EFF.: 87.5%			
	MAX. KVAR: 5.81			MAX. KVAR: 4.91			

Note: F.L. = Full Load P.F. = Power Factor S.F. = Service Factor



North American Electric, Inc. 350 Vaiden Drive, Hernando, MS 38632
Toll Free: 1-800-884-0405 Phone: 662-429-8049 Fax: 662-429-8546
www.northamericanelectric-inc.com