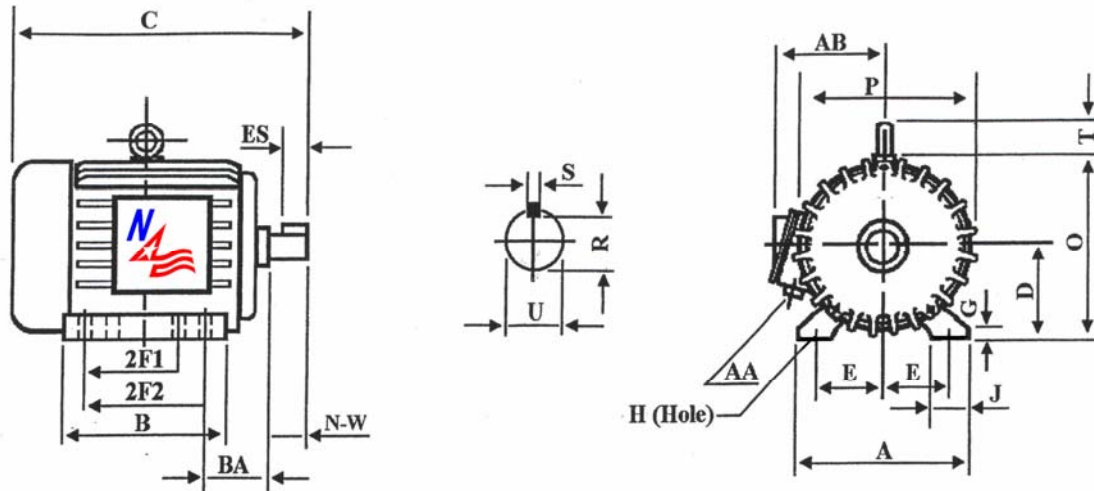


XP3640

General Purpose Explosion Proof Motor

Class I, Division I, Groups C & D and Class II, Division I, Groups E, F and G - Operating Temperature Code: T3C



DIMENSIONS – INCHES

A	B	C	D	E	2F1	2F2	G	H	J	O
16	15.5	31.7	8	12.5	10.5	12	1.1	0.7	2.8	17.5
P	R	S	T	U	ES	AA	AB	BA	N-W	Mount
18	1.591	0.5	2.5	1.875	2.03	2	15.6	5.25	3.75	F1

PERFORMANCE DATA

Three Phase – 60Hz - 208-230/460V – NEMA Design B – Max. Ambient: 40° C

HP	Speed	Frame	NEMA Code	Efficiency (%)			Power Factor			Torque (ft-lb)		
				100%	75%	50%	100%	75%	50%	FLT	BDT	LRT
40	3555	324TS	G	91.7	92.5	92.2	0.887	0.904	0.856	59.09	122	77.1
Amps (460V)		DE Bearing	ODE Bearing	Insulation Class	Enclosure Type	Service Factor	Weight (lbs)					
FLA	LRA											
46.3	290	6312	6312	F	TEFC	1.15	708					





50Hz AND 60Hz DATA FOR 3 PHASE AC INDUCTION MOTOR AS IT APPEARS ON THE NAMEPLATE.

XP3640

CAT. NO: XP3640		FRAME: 324TS		ENCL: TEFC		PHASE: 3	
SHAFT END BRG: 6312				OPP/END BRG: 6312			
MAX. AMB: 40° C		INS CLASS: F		RATING: CONT.		MOTOR WEIGHT: 708LBS	
USABLE ON 208V 60HZ AT: 102.4 MAX. AMPS						SER:	
DIVISION I, CASS I, GROUPS C & D CLASS II, GROUPS E, F & G						OP TEMP CODE: T3C	
60 HERTZ DATA	HP: 40 RPM: 3555			HP: 40 RPM: 2950			50 HERTZ DATA
	VOLTAGE: 230/460V			VOLTAGE: 190/380V			
	F. L. AMPS: 92.6/46.3			F. L. AMPS: 110.6/55.3			
	S.F. AMPS: 107.0/53.5			S.F. AMPS: 110.6/55.3			
	S.F. 1.15	DESIGN: B	CODE: G	S.F. 1.0	DESIGN:	CODE: H	
	NEMA NOM. EFF: 91.7%			NEMA NOM. EFF: 90.2%			
	NOM. P. F.: 0.887			NOM. P. F.: 0.914			
	NEMA MIN. EFF.: 90.2%			NEMA MIN. EFF.: 88.5%			
	MAX. KVAR: 9.58			MAX. KVAR: 7.35			

Note: F.L. = Full Load P.F. = Power Factor S.F. = Service Factor



North American Electric, Inc. 350 Vaiden Drive, Hernando, MS 38632

Toll Free: 1-800-884-0405 Phone: 662-429-8049 Fax: 662-429-8546

www.northamericanelectric-inc.com