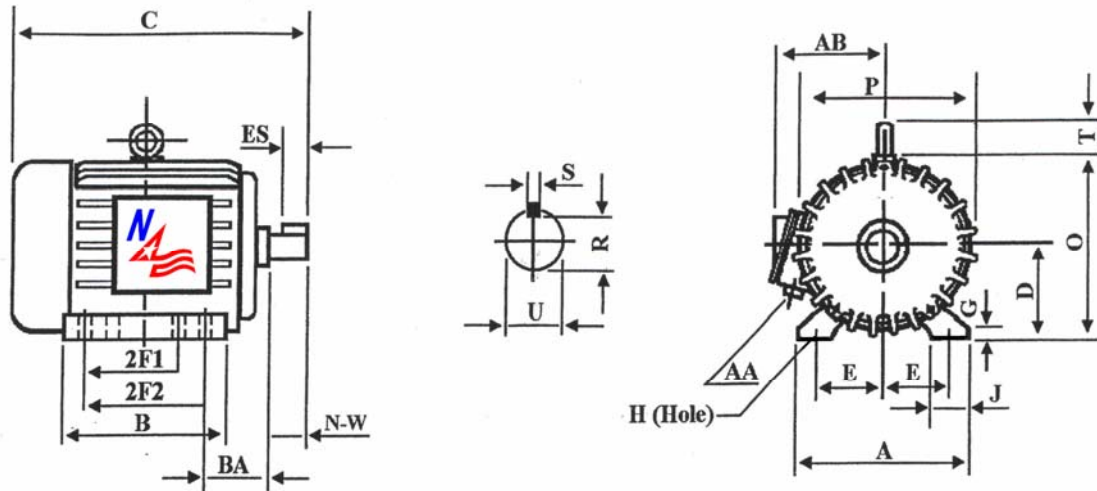


## XP3672

### General Purpose Explosion Proof Motor

Class I, Division I, Groups C & D and Class II, Division I, Groups E, F and G - Operating Temperature Code: T3C



#### DIMENSIONS – INCHES

A	B	C	D	E	2F1	2F2	G	H	J	O
10.5	8.7	20.3	5.25	8.5	5.5	7	0.8	0.4	2.4	10.5
P	R	S	T	U	ES	AA	AB	BA	N-W	Mount
11.4	1.201	0.312	2	1.375	2.41	1	10	3.5	3.38	F1

#### PERFORMANCE DATA

Three Phase – 60Hz - 208-230/460V – NEMA Design B – Max. Ambient: 40° C

HP	Speed	Frame	NEMA Code	Efficiency (%)			Power Factor			Torque (ft-lb)		
				100%	75%	50%	100%	75%	50%	FLT	BDT	LRT
7.5	3525	213T	H	88.5	89.2	89.0	0.876	0.907	0.859	11.17	22.9	16.2
Amps ( 460V)		DE Bearing	ODE Bearing	Insulation Class	Enclosure Type	Service Factor	Weight (lbs)					
FLA	LRA											
8.9	63	6308-ZZ	6308-ZZ	F	TEFC	1.15	253					





**50Hz AND 60Hz DATA FOR 3 PHASE AC INDUCTION MOTOR AS IT APPEARS ON THE NAMEPLATE.**

## **XP3672**

CAT. NO: XP3672		FRAME: 213T		ENCL: TEFC		PHASE: 3	
SHAFT END BRG: 6308-ZZ				OPP/END BRG: 6308-ZZ			
MAX. AMB: 40° C		INS CLASS: F		RATING: CONT.		MOTOR WEIGHT: 253LBS	
USABLE ON 208V 60HZ AT: 19.7 MAX. AMPS						SER:	
DIVISION I, CASS I, GROUPS C & D CLASS II, GROUPS E, F & G						OP TEMP CODE: T3C	
60 HERTZ DATA	HP: 7.5 RPM: 3525			HP: 7.5 RPM: 2915			50 HERTZ DATA
	VOLTAGE: 230/460V			VOLTAGE: 190/380V			
	F. L. AMPS: 17.8/8.9			F. L. AMPS: 20.8/10.4			
	S.F. AMPS: 20.6/10.3			S.F. AMPS: 20.8/10.4			
	S.F. 1.15	DESIGN: B	CODE: H	S.F. 1.0	DESIGN:	CODE: J	
	NEMA NOM. EFF: 88.5%			NEMA NOM. EFF: 86.5%			
	NOM. P. F.: 0.876			NOM. P. F.: 0.929			
	NEMA MIN. EFF.: 86.5%			NEMA MIN. EFF.: 84.0%			
	MAX. KVAR: 1.87			MAX. KVAR: 1.55			

**Note: F.L. = Full Load      P.F. = Power Factor      S.F. = Service Factor**



**North American Electric, Inc. 350 Vaiden Drive, Hernando, MS 38632**  
**Toll Free: 1-800-884-0405 Phone: 662-429-8049 Fax: 662-429-8546**  
[www.northamericanelectric-inc.com](http://www.northamericanelectric-inc.com)