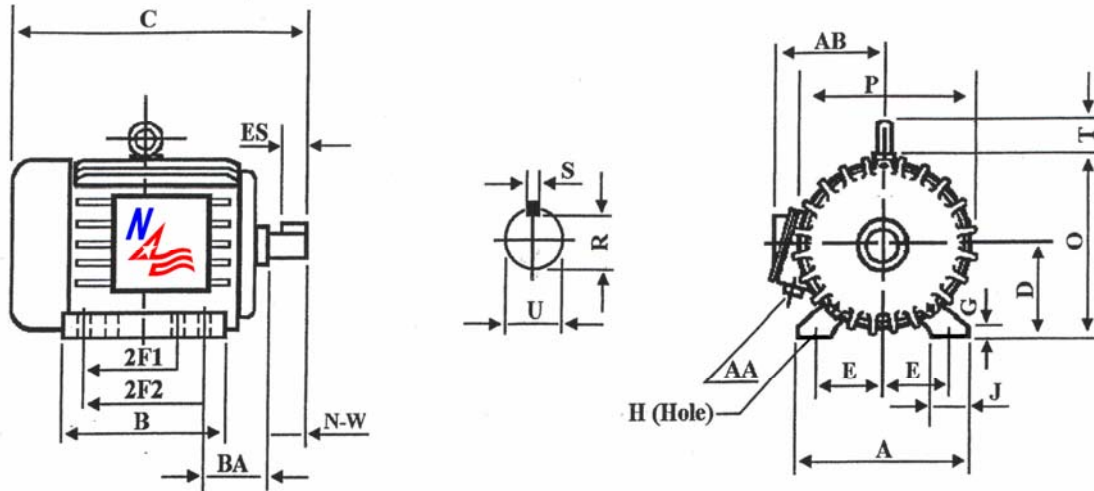


XP3675

General Purpose Explosion Proof Motor

Class I, Division I, Groups C & D and Class II, Division II, Groups E, F and G - Operating Temperature Code: T3C



DIMENSIONS – INCHES

A	B	C	D	E	2F1	2F2	G	H	J	O
18	16.2	33.3	9	14	11.25	12.25	1.1	0.7	3	19
P	R	S	T	U	ES	AA	AB	BA	N-W	Mount
19.5	1.591	0.5	2.5	1.875	2.03	3	16.5	5.88	3.75	F1

PERFORMANCE DATA

Three Phase – 60Hz - 208-230/460V – NEMA Design B – Max. Ambient: 40° C

HP	Speed	Frame	NEMA Code	Efficiency (%)			Power Factor			Torque (ft-lb)		
				100%	75%	50%	100%	75%	50%	FLT	BDT	LRT
75	3555	365TS	G	93.0	93.7	93.3	0.910	0.914	0.870	110.80	226.0	121.0
Amps (460V)		DE Bearing	ODE Bearing	Insulation Class	Enclosure Type	Service Factor	Weight (lbs)					
FLA	LRA											
82.5	542	6313	6313	F	TEFC	1.15	922					





50Hz AND 60Hz DATA FOR 3 PHASE AC INDUCTION MOTOR AS IT APPEARS ON THE NAMEPLATE.

XP3675

CAT. NO: XP3675		FRAME: 365TS		ENCL: TEFC		PHASE: 3	
SHAFT END BRG: 6313				OPP/END BRG: 6313			
MAX. AMB: 40° C		INS CLASS: F		RATING: CONT.		MOTOR WEIGHT: 922LBS	
USABLE ON 208V 60HZ AT: 182.5 MAX. AMPS						SER:	
DIVISION I, CASS I, GROUPS C & D CLASS II, GROUPS E, F & G						OP TEMP CODE: T3C	
60 HERTZ DATA	HP: 75 RPM: 3555			HP: 75 RPM: 2955			50 HERTZ DATA
	VOLTAGE: 230/460V			VOLTAGE: 190/380V			
	F. L. AMPS: 165.0/82.5			F. L. AMPS: 197.8/98.9			
	S.F. AMPS: 189.8/94.9			S.F. AMPS: 197.8/98.9			
	S.F. 1.15	DESIGN: B	CODE: G	S.F. 1.0	DESIGN:	CODE: H	
	NEMA NOM. EFF: 93.0%			NEMA NOM. EFF: 92.4%			
	NOM. P. F.: 0.91			NOM. P. F.: 0.914			
	NEMA MIN. EFF.: 91.7%			NEMA MIN. EFF.: 91.0%			
	MAX. KVAR: 15.4			MAX. KVAR: 12.1			

Note: F.L. = Full Load P.F. = Power Factor S.F. = Service Factor



North American Electric, Inc. 350 Vaiden Drive, Hernando, MS 38632
 Toll Free: 1-800-884-0405 Phone: 662-429-8049 Fax: 662-429-8546
www.northamericanelectric-inc.com