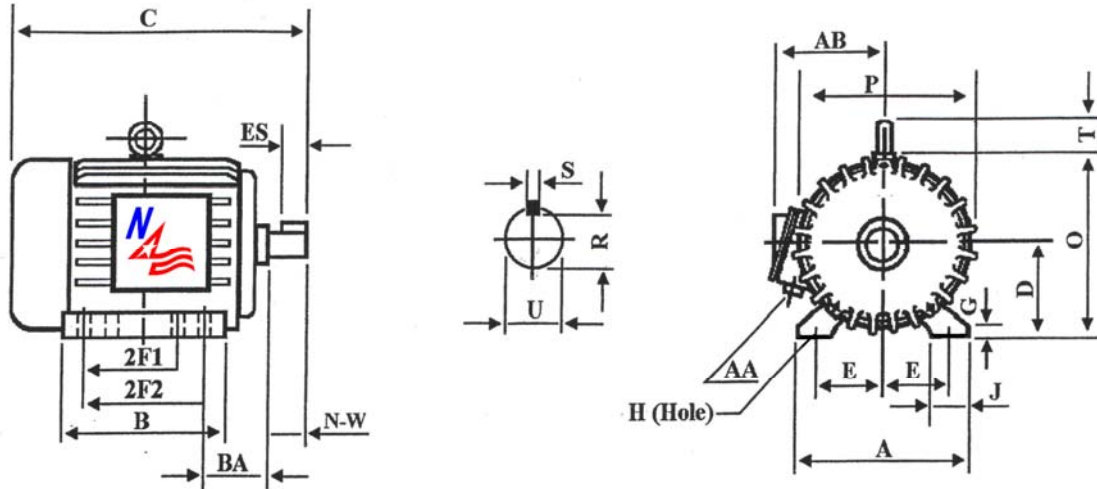


NA254T-7.5-6

General Purpose Hostile Duty Motor

Energy Efficient – Three Phase – TEFC - AC Motor - Inverter Rated (10:1 VT; 5:1 CT)



DIMENSIONS – INCHES

A	B	C	D	E	2F1	2F2	G	H	J	O
13.0	10.4	23.2	6.25	5.0	8.25	NA	0.8	.53	2.87	13.0
P	R	S	T	U	ES	AA	AB	BA	N-W	Mount
12.4	1.416	.375	2.2	1.625	2.91	1.25	10.1	4.25	4.0	F1

PERFORMANCE DATA

Three Phase – 60Hz - 208-230/460V – NEMA Design B - Max. Ambient: 40° C

HP	Speed	Frame	NEMA Code	Efficiency (%)			Power Factor (%)			Torque (ft-lb)		
				100%	75%	50%	100%	75%	50%	FLT	BDT%	LRT%
7.5	1175	254T	H	89.5	89.2	87.9	77.0	71.5	60.0	33.7	250	220
Amps (460V)		DE Bearing	ODE Bearing	Insulation Class	Enclosure Type	Service Factor	Weight (lbs)					
FLA	LRA											
10.3	63.0	6309	6309	F	TEFC	1.15	250					



North American Electric, Inc. 350 Vaiden Drive, Hernando, MS 38632

Toll Free: 1-800-884-0405 Phone: 662-429-8049 Fax: 662-429-8546

www.naemotors.com