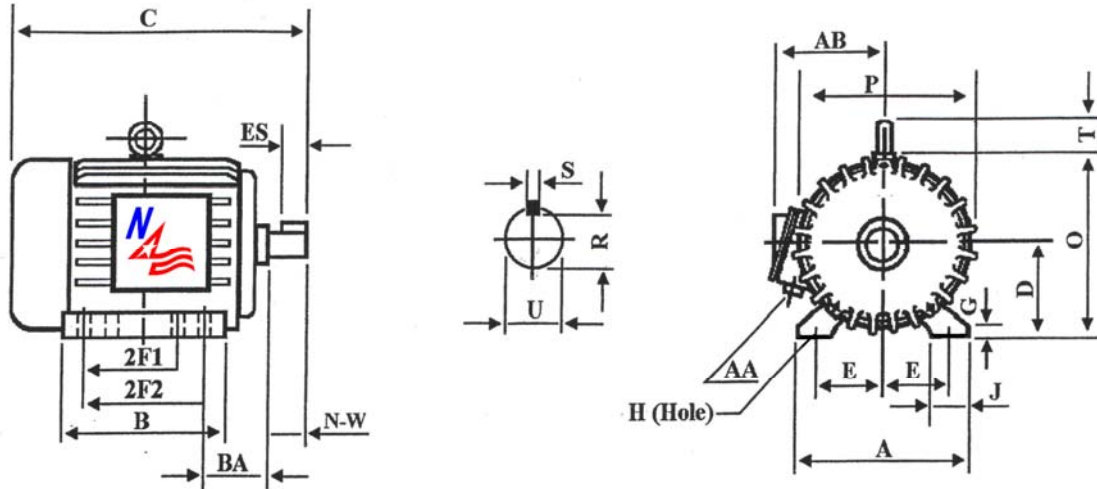


## NA324T-25-6

### General Purpose Hostile Duty Motor

Energy Efficient – Three Phase – TEFC - AC Motor - Inverter Rated (10:1 VT; 5:1 CT)



### DIMENSIONS – INCHES

A	B	C	D	E	2F1	2F2	G	H	J	O
15.5	13.2	29.8	8.0	6.25	10.5	NA	1.0	.66	2.76	15.9
P	R	S	T	U	ES	AA	AB	BA	N-W	Mount
15.7	1.845	.50	2.6	2.125	3.91	2.0	12.3	5.25	5.25	F1

### PERFORMANCE DATA

Three Phase – 60Hz - 208-230/460V – NEMA Design B - Max. Ambient: 40° C

HP	Speed	Frame	NEMA Code	Efficiency (%)			Power Factor (%)			Torque (ft-lb)		
				100%	75%	50%	100%	75%	50%	FLT	BDT%	LRT%
25	1175	324T	G	91.7	91.7	91.2	85.0	78.0	68.0	111	245	200
Amps ( 460V)		DE Bearing	ODE Bearing	Insulation Class	Enclosure Type	Service Factor	Weight (lbs)					
FLA	LRA											
30.2	182.0	6312	6312	F	TEFC	1.15	495					



North American Electric, Inc. 350 Vaiden Drive, Hernando, MS 38632

Toll Free: 1-800-884-0405 Phone: 662-429-8049 Fax: 662-429-8546

[www.naemotors.com](http://www.naemotors.com)