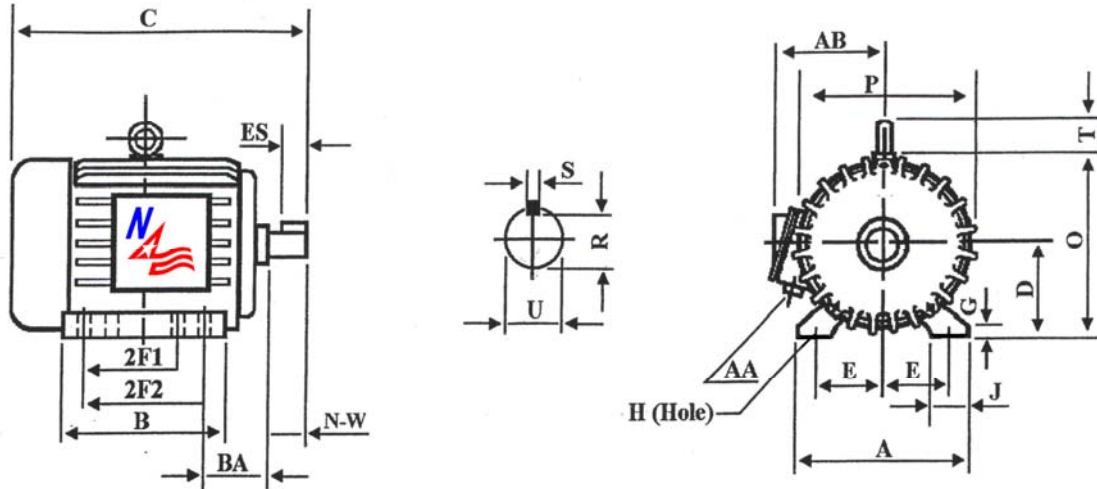


## NA182T-3-2

### General Purpose Hostile Duty Motor

Energy Efficient – Three Phase – TEFC - AC Motor - Inverter Rated (10:1 VT; 5:1 CT)



#### DIMENSIONS – INCHES

| A    | B    | C    | D   | E     | 2F1  | 2F2 | G   | H    | J    | O     |
|------|------|------|-----|-------|------|-----|-----|------|------|-------|
| 9.5  | 6.3  | 15.1 | 4.5 | 3.75  | 4.5  | NA  | 0.7 | .41  | 2.04 | 9.1   |
| P    | R    | S    | T   | U     | ES   | AA  | AB  | BA   | N-W  | Mount |
| 8.70 | .986 | .25  | 1.6 | 1.125 | 1.78 | .75 | 7.5 | 2.75 | 2.75 | F1    |

#### PERFORMANCE DATA

Three Phase – 60Hz - 208-230/460V – NEMA Design B - Max. Ambient: 40° C

| HP           | Speed | Frame      | NEMA Code   | Efficiency (%)   |                |                | Power Factor (%) |      |      | Torque (ft-lb) |      |      |
|--------------|-------|------------|-------------|------------------|----------------|----------------|------------------|------|------|----------------|------|------|
|              |       |            |             | 100%             | 75%            | 50%            | 100%             | 75%  | 50%  | FLT            | BDT% | LRT% |
| 3            | 3510  | 182T       | K           | 85.5             | 86.0           | 85.3           | 89.0             | 86.3 | 77.0 | 4.49           | 280  | 200  |
| Amps ( 460V) |       | DE Bearing | ODE Bearing | Insulation Class | Enclosure Type | Service Factor | Weight (lbs)     |      |      |                |      |      |
| FLA          | LRA   |            |             |                  |                |                |                  |      |      |                |      |      |
| 3.7          | 32.0  | 6306ZZ     | 6306ZZ      | F                | TEFC           | 1.15           | 86               |      |      |                |      |      |



North American Electric, Inc. 350 Vaiden Drive, Hernando, MS 38632

Toll Free: 1-800-884-0405 Phone: 662-429-8049 Fax: 662-429-8546

[www.naemotors.com](http://www.naemotors.com)