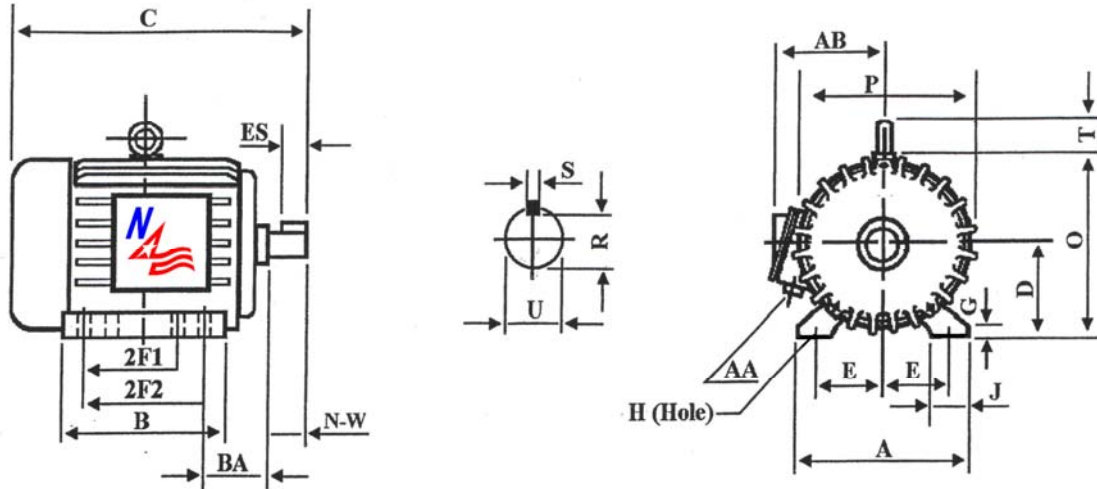


## NA215T-10-2

### General Purpose Hostile Duty Motor

Energy Efficient – Three Phase – TEFC - AC Motor - Inverter Rated (10:1 VT; 5:1 CT)



#### DIMENSIONS – INCHES

A	B	C	D	E	2F1	2F2	G	H	J	O
11.0	9.4	20.4	5.25	4.25	5.5	7.0	0.8	.41	2.45	10.5
P	R	S	T	U	ES	AA	AB	BA	N-W	Mount
10.20	1.201	.312	1.90	1.375	2.41	1.0	8.3	3.5	3.38	F1

#### PERFORMANCE DATA

Three Phase – 60Hz - 208-230/460V – NEMA Design B - Max. Ambient: 40° C

HP	Speed	Frame	NEMA Code	Efficiency (%)			Power Factor (%)			Torque (ft-lb)		
				100%	75%	50%	100%	75%	50%	FLT	BDT%	LRT%
10	3525	215T	H	89.5	89.7	88.5	92.0	91.0	87.0	14.9	270	180
Amps ( 460V)		DE Bearing	ODE Bearing	Insulation Class	Enclosure Type	Service Factor	Weight (lbs)					
FLA	LRA											
11.5	81.0	6308ZZ	6308ZZ	F	TEFC	1.15	152					



North American Electric, Inc. 350 Vaiden Drive, Hernando, MS 38632

Toll Free: 1-800-884-0405 Phone: 662-429-8049 Fax: 662-429-8546

[www.naemotors.com](http://www.naemotors.com)