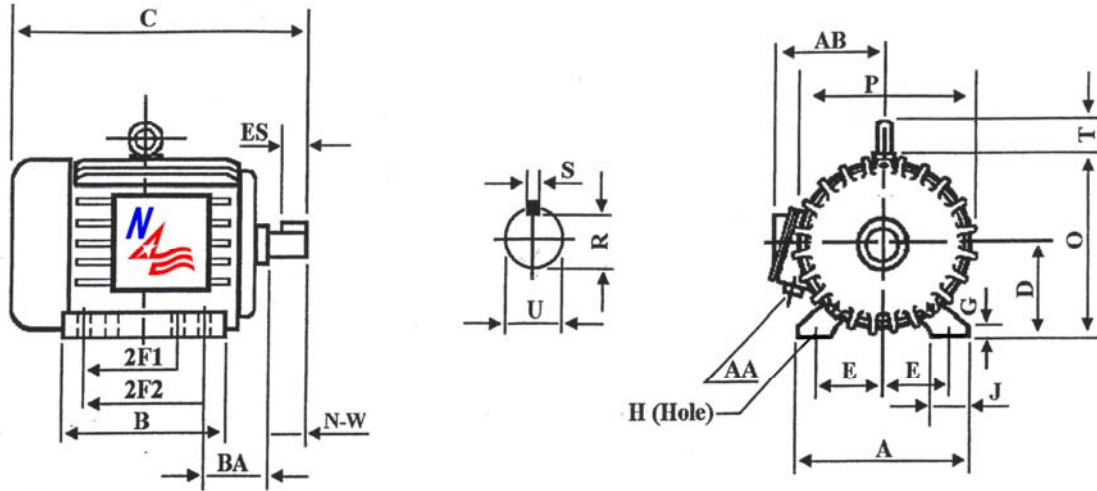


PE444TS-125-2

PREMIUM EFFICIENT / INVERTER DUTY MOTOR

Minimum Guaranteed Full Load Efficiency =94.1% - Inverter Duty (20:1 Variable Torque; 10:1 Constant Torque)



DIMENSIONS – INCHES

A	B	C	D	E	2F1	2F2	G	H	J	O
21.7	22.9	40.6	11.0	9.0	14.5	NA	1.3	.81	3.15	22.1
P	R	S	T	U	ES	AA	AB	BA	N-W	Mount
21.6	2.021	.625	3.0	2.375	3.03	3.0	16.6	7.5	4.75	F1

PERFORMANCE DATA

Three Phase – TEFC – AC Motor – 60Hz - 460V – NEMA Design B - Max. Ambient: 40° C

HP	Speed	Frame	NEMA Code	Efficiency (%)			Power Factor (%)			Torque (ft-lb)		
				100%	75%	50%	100%	75%	50%	FLT	BDT%	LRT%
125	3565	444TS	G	95.0	94.4	93.8	92.0	92.5	90.5	184	250	190
Amps (460V)		DE Bearing	ODE Bearing	Insulation Class	Enclosure Type	Service Factor	Weight (lbs)					
FLA	LRA											
135	907	6314	6314	F	TEFC	1.15	1247					



North American Electric, Inc. 350 Vaiden Drive, Hernando, MS 38632

Toll Free: 1-800-884-0405 Phone: 662-429-8049 Fax: 662-429-8546

www.naemotors.com