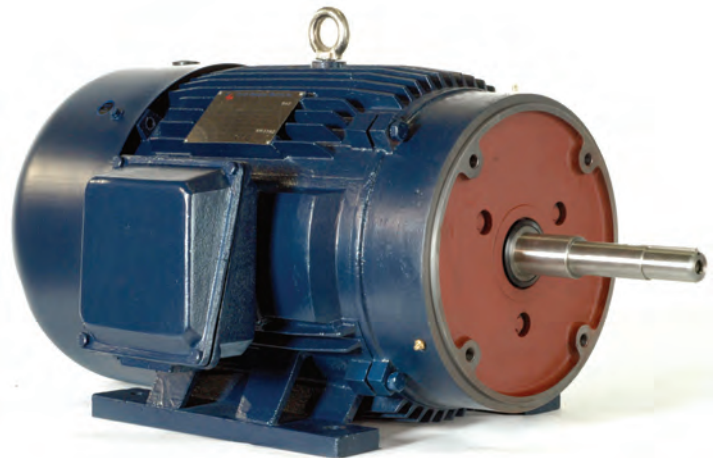
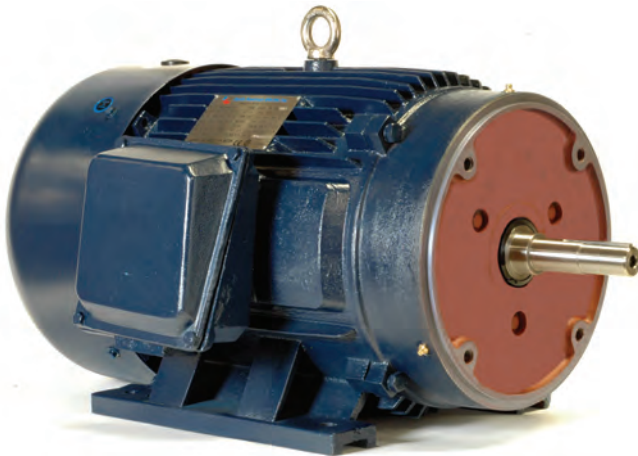


North American Electric, Inc.

"Your Source for a Complete Line of Electric Motors"

Close Coupled Pump Motors

- **1-50 Horse Power**
- **3600 and 1800 Ram**
- **Cast Iron Construction**
- **Inverter rated**



**Specifically Designed For Use On
Industrial And Commercial Pumps.**



ISO 9001



Mission Statement

To provide the United States market for industrial motors and controls with products which meet or exceed customer expectations for quality, performance, and reliability at the lowest possible cost and delivered in accordance with the customer's schedule, through our authorized distributor network.

Company History

North American Electric, Inc. is a wholesale supplier of Special Purpose and General Purpose, AC electric motors and controls. We take pride in supplying high performance, high quality products at extremely competitive prices throughout the United States. Donald E. Hackman, Sr. and David E. Hackman founded the company in October of 1993. The company's primary focus is sourcing quality electric motors from various manufacturers, both locally and internationally, and distributing them throughout the United States through local distributors and service centers. Our nationwide distributor and service network offer strong local support for our products by providing critical logistical, technical and maintenance support as well as fast, friendly customer service.

WARRANTY POLICY

All motors sold by North American Electric, Inc. are warranted to be free from defects in material and workmanship. The warranty is 24 months from the date of manufacture but no less than 18 months from date of invoice. Also, all motors installed within 24 months from date of manufacture will be warranted for no less than 12 months from the date the motor is installed. North American Electric, Inc. shall, at its option and expense, either repair or replace any such motor or part, which is defective within the warranty period. To be covered under warranty, any motor must have at all times been operated or used under normal operating conditions for which the motor was designed.

In the event of warranty claims, North American Electric, Inc. must be notified promptly following any motor failure. The motor should be sent to a North American Electric, Inc. authorized service center to diagnose the cause of failure. After this examination, a determination will be made if the failure was due to defective material and/or workmanship. If the failure was due to defective material and/or workmanship, North American Electric, Inc. will replace or repair the motor.

North American Electric's liability under this warranty or any other warranty whether expressed or implied in law or fact shall be limited to the repair or replacement of defective material and workmanship, and in no event shall North American Electric, Inc. be liable for consequential or indirect damages, including freight.

YOUR SOURCE FOR A COMPLETE LINE OF ELECTRIC MOTORS !!!

	<p><u>SINGLE PHASE, 56C FRAME, TEFC</u> 1/3-2 HP 2,4 POLE HIGH STARTING TORQUES MANUAL OVERLOAD PROTECTION (OPTIONAL) CAPACITOR START / CAPACITOR RUN DESIGN ROLLED STEEL FRAME CONSTRUCTION IP55 PROTECTION-REMOVABLE FEET</p>		<p><u>NEMA PREMIUM EFFICIENCY INVERTER DUTY MOTORS</u> MEETS OR EXCEEDS NEMA PREMIUM EFFICIENCY LEVELS QUALIFIES FOR ENERGY EFFICIENCY REBATES</p>
	<p><u>SINGLE PHASE, FARM DUTY, TEFC</u> 1/3-10 HP 4 POLE HIGH STARTING TORQUES MANUAL OVERLOAD PROTECTION (1/3 THRU 5 HP) CAPACITOR START / CAPACITOR RUN DESIGN ROLLED STEEL FRAMES CAST IRON ENDBELLS</p>		<p><u>PREMIUM CRUSHER DESIGN MOTORS</u> 1-600 HP 4,6,8 POLE NEMA DESIGN C HIGH STRENGTH 4140 GRADE STAINLESS STEEL SHAFT 586/7U FRAME HEAVY DUTY CAST IRON CONSTRUCTION (INCLUDING FAN COVER) BEARING SIZES: DE=NU324 ODE=6324</p>
	<p><u>SINGLE PHASE OPEN DRIPPROOF</u> 3,5 HP 4 POLE HIGH STARTING TORQUES CAPACITOR START / CAPACITOR RUN DESIGN ROLLED STEEL FRAME CONSTRUCTION CAST IRON ENDBELLS</p>		<p><u>PREMIUM EFFICIENCY EXPLOSION PROOF MOTORS</u> 1-300 HP 2,4,6 POLE ALL MOTORS MEET OR EXCEED UL 674 SPECIFICATION AS REQUIRED BY OSHA FOR INSTALLATION AND USE IN HAZARDOUS LOCATIONS. CLASS I, DIVISION I, GROUPS C&D AND CLASS II, DIVISION I, GROUPS E,F AND G UL CERTIFIED - FILE E228654 CSA + "C" + "US" - CANADIAN STANDARD ISO9001</p>
	<p><u>THREE PHASE, 56C FRAME, TEFC</u> 1/3-3 HP 2,4 POLE HIGH EFFICIENCY DESIGN GENERAL PURPOSE MOTORS ROLLED STEEL FRAME CONSTRUCTION, ALUMINUM ENDBELLS IP55 PROTECTION REMOVABLE FEET</p>		<p><u>OIL WELL PUMP MOTORS, TEFC</u> 3-150 HP 6 POLE NEMA DESIGN D HIGH SLIP(5% TO 8% SLIP) SPECIAL PURPOSE OIL WELL PUMP MOTORS HEAVY DUTY CAST IRON FRAME CONSTRUCTION</p>
	<p><u>THREE PHASE, TEFC ROLLED STEEL MOTORS</u> PREMIUM EFFICIENCY DESIGN-GENERAL PURPOSE, LIGHT WEIGHT ROLLED STEEL FRAME</p>		<p><u>PREMIUM EFFICIENCY ALUMINUM MOTORS</u> 1-10 HP 2,4 POLE HIGH EFFICIENCY DESIGN GENERAL PURPOSE, THREE PHASE, TEFC MOTORS LIGHT WEIGHT ALUMINUM FRAME</p>
	<p><u>THREE PHASE OPEN DRIPPROOF</u> 1-15 HP 2,4 POLE PREMIUM EFFICIENCY DESIGN GENERAL PURPOSE MOTORS ROLLED STEEL FRAME CONSTRUCTION, CAST IRON ENDBELLS</p>		<p><u>VERTICAL HOLLOW SHAFT PUMP MOTORS</u> 10 HP - 250 HP, 4 POLE HIGH TORQUE - HIGH THRUST</p>
	<p><u>STAINLESS STEEL WASHDOWN DUTY MOTORS</u> 1/3 HP - 20HP 2,4,6 POLE IP 67 PROTECTION INVERTER DUTY</p>		<p><u>SHAFT MOTOR REDUCERS</u> SIZES 2-8 GEAR RATIOS: 15:1 & 25:1</p>
	<p><u>CLOSE COUPLED PUMP MOTORS</u> 1-50 HP, CAST IRON HIGH EFFICIENCY CORROSION RESISTANT PAINT</p>		<p><u>ELECTRIC MOTOR CONTROL</u> FULL VOLTAGE STARTERS SOFT STARTS INVERTERS PUMP PACKAGES</p>
			<p><u>MOTOR SLIDE BASES</u> AVAILABLE 56C THRU 505U</p>

CLOSE COUPLED PUMP MOTORS JM FRAMES

"Buy on Value Not on Price"



- **1-50 Horse Power**
- **3600 and 1800 RPM**
- **Cast Iron Construction**
- **Inverter Rated**



ISO 9001

**Inverter Rated
10:1 Variable Torque
and 5:1 Constant Torque**

**EISA Compliant
High Efficiency Design**

**Usable on 575V at 1.0
Service Factor**

**FC 200 Grade
Cast Iron Frame
with Solid Cast Iron
Double Punched Feet**

C-Face as Standard

**Heavy Gauge Steel
Fan Cover**

**1045 Carbon Steel
Shaft**

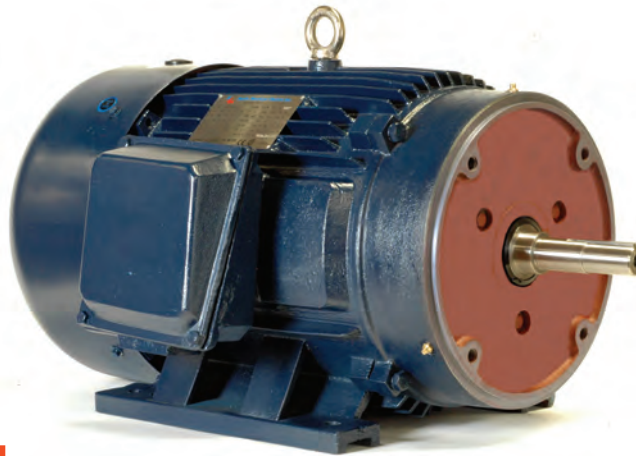
**TEFC, IP55 Protection
as Standard**

**Greasable Bearings
on 250 Frames and
Larger — All Geasable
Bearings have Grease
Relief Ports**

**Oversized Cast Iron
Conduit Box**

**Oversized Bearings
on Both Drive End
and Opposite Drive End**

**Class F Insulation System
with Class H VPI Epoxy
Resin Protection**



**APPLICATIONS:
SPECIFICALLY DESIGNED FOR USE ON INDUSTRIAL AND
COMMERCIAL PUMPS**

CLOSE COUPLED PUMP MOTORS JM FRAMES

HP	RPM	FRAME	VOLTS	CATALOG NUMBER	LIST PRICE
1	1800	143JM	208-230/460	NA143JM-1-4	\$355
1.5	3600	143JM	208-230/460	NA143JM-1.5-2	\$386
	1800	145JM	208-230/460	NA145JM-1.5-4	\$398
2	3600	145JM	208-230/460	NA145JM-2-2	\$415
	1800	145JM	208-230/460	NA145JM-2-4	\$414
3	3600	145JM	208-230/460	NA145JM-3-2	\$502
	3600	182JM	208-230/460	NA182JM-3-2	\$502
	1800	182JM	208-230/460	NA182JM-3-4	\$528
5	3600	184JM	208-230/460	NA184JM-5-2	\$640
	1800	184JM	208-230/460	NA184JM-5-4	\$662
7.5	3600	184JM	208-230/460	NA184JM-7.5-2	\$862
	3600	213JM	208-230/460	NA213JM-7.5-2	\$862
	1800	213JM	208-230/460	NA213JM-7.5-4	\$899
10	3600	215JM	208-230/460	NA215JM-10-2	\$972
	1800	215JM	208-230/460	NA215JM-10-4	\$1,011
15	3600	215JM	208-230/460	NA215JM-15-2	\$1,499
	3600	254JM	208-230/460	NA254JM-15-2	\$1,499
	1800	254JM	208-230/460	NA254JM-15-4	\$1,565
20	3600	256JM	208-230/460	NA256JM-20-2	\$1,684
	1800	256JM	208-230/460	NA256JM-20-4	\$1,690
25	3600	256JM	208-230/460	NA256JM-25-2	\$2,131
	3600	284JM	208-230/460	NA284JM-25-2	\$2,131
	1800	284JM	208-230/460	NA284JM-25-4	\$2,047
30	3600	286JM	208-230/460	NA286JM-30-2	\$2,324
	1800	286JM	208-230/460	NA286JM-30-4	\$2,310
40	3600	286JM	208-230/460	NA286JM-40-2	\$2,968
	3600	324JM	208-230/460	NA324JM-40-2	\$2,968
	1800	324JM	208-230/460	NA324JM-40-4	\$3,012
50	3600	326JM	208-230/460	NA326JM-50-2	\$3,710
	1800	326JM	208-230/460	NA326JM-50-4	\$3,745



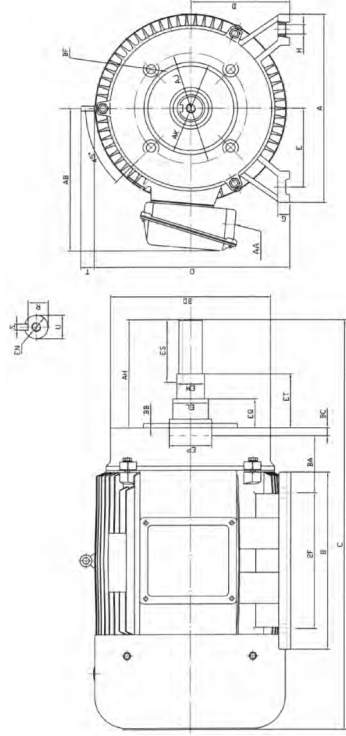
ISO 9001

CLOSE COUPLED PUMP MOTORS DATA SHEET - JM FRAMES

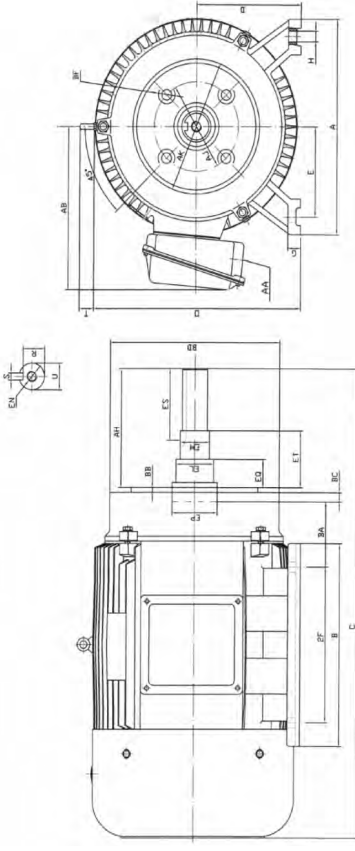
HP	Full Load RPM	Frame	Service Factor	DE Bearing	ODE Bearing	Idle Amps	Full Load At 460V	FLT Ft-Lb	LRT %	BDT %	Full Load % Efficiency	Full Load % Power Factor	Weight
1	1740	143JM	1.15	6205ZZ	6205ZZ	0.80	1.50	3.02	290	300	82.5	76.0	40
1.5	3500	143JM	1.15	6205ZZ	6205ZZ	0.94	2.10	2.22	270	310	82.5	82.0	42
1.5	1740	145JM	1.15	6205ZZ	6205ZZ	1.22	2.20	4.53	300	310	84.0	76.0	48
2	3500	145JM	1.15	6205ZZ	6205ZZ	1.20	2.70	3.00	250	290	84.0	84.0	47
2	1740	145JM	1.15	6205ZZ	6205ZZ	1.51	2.80	6.05	300	300	84.0	80.0	51
3	3500	145JM	1.15	6205ZZ	6205ZZ	1.40	3.80	4.50	210	280	85.5	88.0	66
3	3510	182JM	1.15	6306ZZ	6306ZZ	1.40	3.70	4.49	200	280	85.5	89.0	86
3	1745	182JM	1.15	6306ZZ	6306ZZ	2.15	4.00	9.03	230	300	87.5	82.0	89
5	3515	184JM	1.15	6306ZZ	6306ZZ	1.75	6.00	7.46	200	290	87.5	90.0	103
5	1745	184JM	1.15	6306ZZ	6306ZZ	3.17	6.50	15.05	230	280	87.5	82.0	101
7.5	3520	184JM	1.15	6306ZZ	6306ZZ	2.40	8.90	11.20	200	280	88.5	90.0	128
7.5	3525	213JM	1.15	6308ZZ	6308ZZ	2.37	8.80	11.17	190	270	88.5	91.0	138
7.5	1750	213JM	1.15	6308ZZ	6308ZZ	3.49	9.20	22.51	200	260	89.5	85.0	136
10	3525	215JM	1.15	6308ZZ	6308ZZ	2.80	11.50	14.90	180	270	89.5	92.0	152
10	1750	215JM	1.15	6308ZZ	6308ZZ	4.53	12.00	30.01	190	240	89.5	86.0	159
15	3520	215JM	1.15	6308ZZ	6308ZZ	4.20	17.20	22.30	180	250	90.2	92.0	188
15	3515	254JM	1.15	6309	6309	4.35	17.50	22.40	180	270	90.2	90.0	272
15	1750	254JM	1.15	6309	6309	7.75	18.20	44.80	180	220	91.0	84.0	271
20	3530	256JM	1.15	6309	6309	5.17	22.50	29.76	180	250	90.2	92.0	297
20	1750	256JM	1.15	6309	6309	9.20	24.20	59.80	180	200	91.0	85.0	306
25	3530	256JM	1.15	6309	6309	7.00	28.00	37.20	180	270	91.0	92.0	345
25	3530	284JM	1.15	6310	6310	6.60	28.00	37.20	190	290	91.0	91.0	371
25	1760	284JM	1.15	6310	6310	10.50	30.00	74.30	180	260	92.4	85.0	372
30	3530	286JM	1.15	6310	6310	7.70	33.70	44.63	180	290	91.0	92.0	385
30	1760	286JM	1.15	6310	6310	12.00	35.30	89.10	200	280	92.4	86.0	387
40	3530	286JM	1.15	6310	6310	11.00	44.00	59.50	180	280	91.7	92.0	450
40	3540	324JM	1.15	6312	6312	11.80	44.50	59.20	185	280	91.7	91.0	495
40	1760	324JM	1.15	6312	6312	11.50	46.60	119.36	185	265	93.0	87.0	521
50	3545	326JM	1.15	6312	6312	13.51	55.00	73.90	190	300	92.4	92.0	532
50	1765	326JM	1.15	6312	6312	13.70	58.30	148.78	190	265	93.0	87.0	565

MOUNTING DIMENSIONS JM FRAME MOTORS

143JM TO 184JM



213JM TO 365JM



FRAME	MOUNTING DIMENSIONS																FLANGE DIMENSIONS											SHAFT DIMENSIONS										
	E	2F	AB	H	BA	AA	A	B	BC	BD	C	D	G	O	T	AK	AJ	BB	BF	R	S	EP	EL	EM	EN	U	ET	AH	EQ	ES								
143JM	2.75	4.0	6.10	0.34	2.75	.75NPT	7.0	5.2	0.12	6.62	15.20	3.50	0.50	7.10	NA	4.500	5.875	.156	3/8-	.771	0.188	1.156	1.156	1.0000	3/8-16	.8745	2.880	4.281	.64	1.65								
145JM	2.75	5.0	6.10	0.34	2.75	.75NPT	7.0	6.2	0.12	6.62	16.20	3.50	0.55	7.10	NA	4.500	5.875	.156	3/8-	.771	0.188	1.156	1.154	1.0000	3/8-16	.8745	2.880	4.281	.64	1.65								
182JM	3.75	4.5	7.50	0.41	3.50	.75NPT	9.5	6.3	0.12	6.62	17.50	3.50	0.70	9.10	1.60	4.497	5.875	.156	3/8-	.771	0.188	1.250	1.248	1.0000	3/8-16	.8745	2.880	4.281	.64	1.65								
184JM	3.75	5.5	7.50	0.41	3.50	.75NPT	9.5	7.3	0.12	6.62	18.50	3.50	0.70	9.10	1.60	4.497	5.875	.156	3/8-	.771	0.188	1.250	1.248	1.0000	3/8-16	.8745	2.880	4.281	.64	1.65								
213JM	4.25	5.5	8.30	0.41	4.25	1.0NPT	11.0	7.9	0.25	9.00	20.80	5.25	0.80	10.50	1.90	8.500	7.250	.312	1/2-	.771	0.188	1.750	1.248	1.0000	3/8-16	.8745	2.880	4.281	.64	1.65								
215JM	4.25	7.0	8.30	0.41	4.25	1.0NPT	11.0	9.4	0.25	9.00	22.30	5.25	0.80	10.50	1.90	8.500	7.250	.312	1/2-	.771	0.188	1.750	1.248	1.0000	3/8-16	.8745	2.880	4.281	.64	1.65								
254JM	5.00	8.25	10.10	0.53	4.75	1.25NPT	13.0	10.4	0.25	10.00	24.70	6.25	0.80	13.00	2.20	8.500	7.250	.312	1/2-	1.097	0.250	1.750	1.748	1.3745	D1.5	1.2490	3.015	5.281	.64	2.53								
256JM	5.00	10.0	10.10	0.53	4.75	1.25NPT	13.0	12.2	0.25	10.00	26.50	6.25	0.80	13.00	2.20	8.500	7.250	.312	1/2-	1.112	0.250	1.750	1.748	1.3745	D1.5	1.2490	3.015	5.281	.64	2.53								
284JM	5.50	9.5	11.30	0.53	4.75	1.5NPT	14.0	11.7	0.25	14.00	27.50	7.00	0.80	14.50	2.20	12.500	11.0	.312	5/8-	1.112	0.250	2.125	1.748	1.3745	D1.5	1.2490	2.980	5.219	.605	2.53								
286JM	5.50	11.0	11.30	0.53	4.75	1.5NPT	14.0	13.2	0.25	14.00	29.10	7.00	0.80	14.50	2.20	12.500	11.0	.312	5/8-	1.112	0.250	2.125	1.748	1.3745	D1.5	1.2490	2.980	5.219	.605	2.53								
324JM	6.25	10.5	12.30	0.66	5.25	2.0NPT	15.5	13.2	0.25	14.00	30.00	8.00	1.00	15.90	2.60	12.500	11.0	.312	5/8-	1.112	0.250	2.125	1.748	1.3745	D1.5	1.2490	3.020	5.281	.645	2.53								
326JM	6.25	12.0	12.30	0.66	5.25	2.0NPT	15.5	14.7	0.25	14.00	31.50	8.00	1.00	15.90	2.60	12.500	11.0	.312	5/8-	1.112	0.250	2.125	1.748	1.3745	D1.5	1.2490	3.020	5.281	.645	2.53								

CLOSE COUPLED PUMP MOTORS JP FRAMES

"Buy on Value Not on Price"



- **1-50 Horse Power**
- **3600 and 1800 RPM**
- **Cast Iron Construction**
- **Inverter Rated**



ISO 9001

**Inverter Rated
10:1 Variable Torque
and 5:1 Constant Torque**

**EISA Compliant
High Efficiency Design**

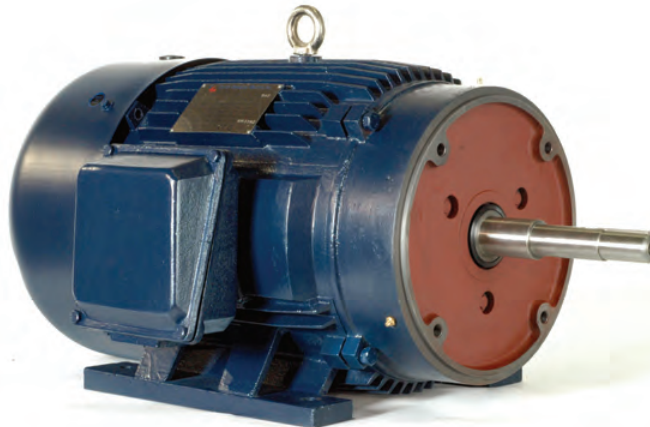
**Usable on 575V at 1.0
Service Factor**

**FC 200 Grade
Cast Iron Frame
with Solid Cast Iron
Double Punched Feet**

C-Face as Standard

**1045 Carbon Steel
Shaft**

**Heavy Gauge Steel
Fan Cover**



**Greasable Bearings
on 250 Frames and
Larger — All Geasable
Bearings have Grease
Relief Ports**

**TEFC, IP55 Protection
as Standard**

**Oversized Cast Iron
Conduit Box**

**Oversized Bearings
on Both Drive End
and Opposite Drive End**

**Class F Insulation System
with Class H VPI Epoxy
Resin Protection**

**APPLICATIONS:
SPECIFICALLY DESIGNED FOR USE ON INDUSTRIAL AND
COMMERCIAL PUMPS**

CLOSE COUPLED PUMP MOTORS JP FRAMES

HP	RPM	FRAME	VOLTS	CATALOG NUMBER	LIST PRICE
1	1800	143JP	208-230/460	NA143JP-1-4	\$355
1.5	3600	143JP	208-230/460	NA143JP-1.5-2	\$386
	1800	145JP	208-230/460	NA145JP-1.5-4	\$398
2	3600	145JP	208-230/460	NA145JP-2-2	\$415
	1800	145JP	208-230/460	NA145JP-2-4	\$414
3	3600	145JP	208-230/460	NA145JP-3-2	\$502
	3600	182JP	208-230/460	NA182JP-3-2	\$502
	1800	182JP	208-230/460	NA182JP-3-4	\$528
5	3600	184JP	208-230/460	NA184JP-5-2	\$640
	1800	184JP	208-230/460	NA184JP-5-4	\$662
7.5	3600	184JP	208-230/460	NA184JP-7.5-2	\$862
	3600	213JP	208-230/460	NA213JP-7.5-2	\$862
	1800	213JP	208-230/460	NA213JP-7.5-4	\$899
10	3600	215JP	208-230/460	NA215JP-10-2	\$972
	1800	215JP	208-230/460	NA215JP-10-4	\$1,011
15	3600	215JP	208-230/460	NA215JP-15-2	\$1,499
	3600	254JP	208-230/460	NA254JP-15-2	\$1,499
	1800	254JP	208-230/460	NA254JP-15-4	\$1,565
20	3600	256JP	208-230/460	NA256JP-20-2	\$1,684
	1800	256JP	208-230/460	NA256JP-20-4	\$1,690
25	3600	256JP	208-230/460	NA256JP-25-2	\$2,131
	3600	284JP	208-230/460	NA284JP-25-2	\$2,131
	1800	284JP	208-230/460	NA284JP-25-4	\$2,047
30	3600	286JP	208-230/460	NA286JP-30-2	\$2,324
	1800	286JP	208-230/460	NA286JP-30-4	\$2,310
40	3600	286JP	208-230/460	NA286JP-40-2	\$2,968
	3600	324JP	208-230/460	NA324JP-40-2	\$2,968
	1800	324JP	208-230/460	NA324JP-40-4	\$3,012
50	3600	326JP	208-230/460	NA326JP-50-2	\$3,710
	1800	326JP	208-230/460	NA326JP-50-4	\$3,745



ISO 9001

CLOSE COUPLED PUMP MOTORS DATA SHEET - JP FRAMES

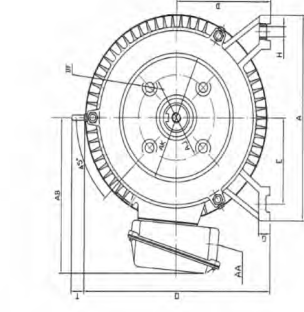
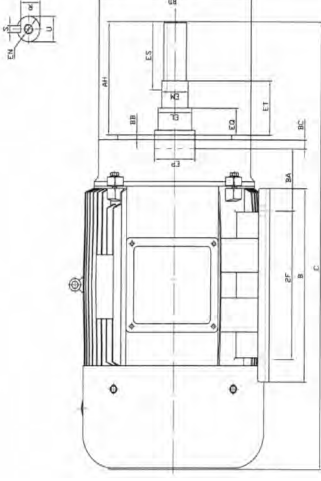
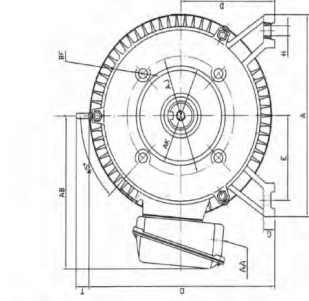
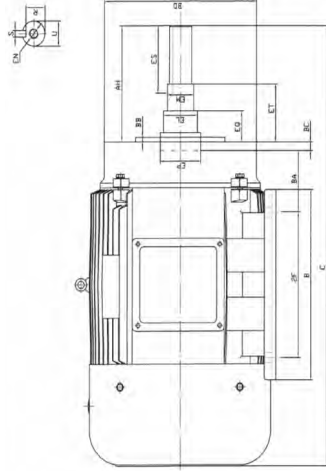
HP	Full Load RPM	Frame	Service Factor	DE Bearing	ODE Bearing	Idle Amps	Full Load At 460V	FLT Ft-Lb	LRT %	BDT %	Full Load % Efficiency	Full Load % Power Factor	Weight
1	1740	143JP	1.15	6205ZZ	6205ZZ	0.80	1.50	3.02	290	300	82.5	76.0	40
1.5	3500	143JP	1.15	6205ZZ	6205ZZ	0.94	2.10	2.22	270	310	82.5	82.0	42
1.5	1740	145JP	1.15	6205ZZ	6205ZZ	1.22	2.20	4.53	300	310	84.0	76.0	48
2	3500	145JP	1.15	6205ZZ	6205ZZ	1.20	2.70	3.00	250	290	84.0	84.0	47
2	1740	145JP	1.15	6205ZZ	6205ZZ	1.51	2.80	6.05	300	300	84.0	80.0	51
3	3500	145JP	1.15	6205ZZ	6205ZZ	1.40	3.80	4.50	210	280	85.5	88.0	66
3	3510	182JP	1.15	6306ZZ	6306ZZ	1.40	3.70	4.49	200	280	85.5	89.0	86
3	1745	182JP	1.15	6306ZZ	6306ZZ	2.15	4.00	9.03	230	300	87.5	82.0	89
5	3515	184JP	1.15	6306ZZ	6306ZZ	1.75	6.00	7.46	200	290	87.5	90.0	103
5	1745	184JP	1.15	6306ZZ	6306ZZ	3.17	6.50	15.05	230	280	87.5	82.0	101
7.5	3520	184JP	1.15	6306ZZ	6306ZZ	2.40	8.90	11.20	200	280	88.5	90.0	128
7.5	3525	213JP	1.15	6308ZZ	6308ZZ	2.37	8.80	11.17	190	270	88.5	91.0	138
7.5	1750	213JP	1.15	6308ZZ	6308ZZ	3.49	9.20	22.51	200	260	89.5	85.0	136
10	3525	215JP	1.15	6308ZZ	6308ZZ	2.80	11.50	14.90	180	270	89.5	92.0	152
10	1750	215JP	1.15	6308ZZ	6308ZZ	4.53	12.00	30.01	190	240	89.5	86.0	159
15	3520	215JP	1.15	6308ZZ	6308ZZ	4.20	17.20	22.30	180	250	90.2	92.0	188
15	3515	254JP	1.15	6309	6309	4.35	17.50	22.40	180	270	90.2	90.0	272
15	1750	254JP	1.15	6309	6309	7.75	18.20	44.80	180	220	91.0	84.0	271
20	3530	256JP	1.15	6309	6309	5.17	22.50	29.76	180	250	90.2	92.0	297
20	1750	256JP	1.15	6309	6309	9.20	24.20	59.80	180	200	91.0	85.0	306
25	3530	256JP	1.15	6309	6309	7.00	28.00	37.20	180	270	91.0	92.0	345
25	3530	284JP	1.15	6310	6310	6.60	28.00	37.20	190	290	91.0	91.0	371
25	1760	284JP	1.15	6310	6310	10.50	30.00	74.30	180	260	92.4	85.0	372
30	3530	286JP	1.15	6310	6310	7.70	33.70	44.63	180	290	91.0	92.0	385
30	1760	286JP	1.15	6310	6310	12.00	35.30	89.10	200	280	92.4	86.0	387
40	3530	286JP	1.15	6310	6310	11.00	44.00	59.50	180	280	91.7	92.0	450
40	3540	324JP	1.15	6312	6312	11.80	44.50	59.20	185	280	91.7	91.0	495
40	1760	324JP	1.15	6312	6312	11.50	46.60	119.36	185	265	93.0	87.0	521
50	3545	326JP	1.15	6312	6312	13.51	55.00	73.90	190	300	92.4	92.0	532
50	1765	326JP	1.15	6312	6312	13.70	58.30	148.78	190	265	93.0	87.0	565

MOUNTING DIMENSIONS JP FRAME MOTORS

143JP TO 184JP

143JP TO 184JP

213JP TO 365JP



FRAME	MOUNTING DIMENSIONS																FLANGE DIMENSIONS										SHAFT DIMENSIONS									
	E	2F	AB	H	BA	AA	A	B	BC	BD	C	D	G	O	T	AK	AJ	BB	BF	R	S	EP	EL	EM	EN	U	ET	AH	EQ	ES						
143JP	2.75	4.0	6.10	0.34	2.75	.75NPT	7.0	5.2	0.12	6.62	15.20	3.50	0.50	7.10	NA	4.500	5.875	.156	3/8-16	.771	0.188	1.156	1.156	1.0000	3/8-16	.8745	5.952	7.343	1.578	1.65						
145JP	2.75	5.0	6.10	0.34	2.75	.75NPT	7.0	6.2	0.12	6.62	16.20	3.50	0.55	7.10	NA	4.500	5.875	.156	3/8-16	.771	0.188	1.156	1.156	1.0000	3/8-16	.8745	5.952	7.343	1.578	1.65						
182JP	3.75	4.5	7.50	0.41	3.50	.75NPT	9.5	6.3	0.12	6.62	17.50	3.50	0.70	9.10	1.60	4.500	5.875	.156	3/8-16	.771	0.188	1.250	1.248	1.0000	3/8-16	.8745	5.952	7.343	1.578	1.65						
184JP	3.75	5.5	7.50	0.41	3.50	.75NPT	9.5	7.3	0.12	6.62	18.50	3.50	0.70	9.10	1.60	4.500	5.875	.156	3/8-16	.771	0.188	1.250	1.248	1.0000	3/8-16	.8745	5.952	7.343	1.578	1.65						
213JP	4.25	5.5	8.30	0.41	4.25	1.0NPT	11.0	7.9	0.25	9.00	20.80	5.25	0.80	10.50	1.90	8.500	7.250	.312	1/2-13	.771	0.188	1.750	1.748	1.0000	3/8-16	1.2495	5.890	8.156	2.390	2.53						
215JP	4.25	7.0	8.30	0.41	4.25	1.0NPT	11.0	9.4	0.25	9.00	22.30	5.25	0.80	10.50	1.90	8.500	7.250	.312	1/2-13	.771	0.188	1.750	1.748	1.0000	3/8-16	1.2495	5.890	8.156	2.390	2.53						
254JP	5.00	8.25	10.10	0.53	4.75	1.25NPT	13.0	10.4	0.25	10.00	24.70	6.25	0.80	13.00	2.20	8.500	7.250	.312	1/2-13	1.112	0.250	1.750	1.750	1.3750	1/2-13	1.2495	5.890	8.156	2.390	2.53						
256JP	5.00	10.0	10.10	0.53	4.75	1.25NPT	13.0	12.2	0.25	10.00	26.50	6.25	0.80	13.00	2.20	8.500	7.250	.312	1/2-13	1.112	0.250	1.750	1.748	1.3750	1/2-13	1.2495	5.890	8.156	2.390	2.53						
284JP	5.50	9.5	11.30	0.53	4.75	1.5NPT	14.0	11.7	0.25	14.00	27.50	7.00	0.80	14.50	2.20	12.500	11.0	.312	5/8-11	1.112	0.250	2.125	1.748	1.3750	1/2-13	1.2495	5.895	8.156	2.390	2.53						
286JP	5.50	11.0	11.30	0.53	4.75	1.5NPT	14.0	13.2	0.25	14.00	29.10	7.00	0.80	14.50	2.20	12.500	11.0	.312	5/8-11	1.112	0.250	2.125	1.748	1.3750	1/2-13	1.2495	5.895	8.156	2.390	2.53						
324JP	6.25	10.5	12.30	0.66	5.25	2.0NPT	15.5	13.2	0.25	14.00	30.00	8.00	1.00	15.90	2.60	12.500	11.0	.312	5/8-11	1.112	0.250	2.125	1.748	1.3750	1/2-13	1.2495	5.895	8.156	2.395	2.53						
326JP	6.25	12.0	12.30	0.66	5.25	2.0NPT	15.5	14.7	0.25	14.00	31.50	8.00	1.00	15.90	2.60	12.500	11.0	.312	5/8-11	1.112	0.250	2.125	1.748	1.3750	1/2-13	1.2495	5.895	8.156	2.395	2.53						



Data subject to change without notice

Distributed by:

North American Electric, Inc. • P.O. Drawer 130 • 350 Vaiden Drive • Hernando, MS 38632
Toll Free: 800-884-0404 • Phone: 662-429-8049 • Fax: 662-429-8546 • Sales: 800-884-0405
www.naemotors.com • e-mail: sales@naemotors.com



Revised January 2012