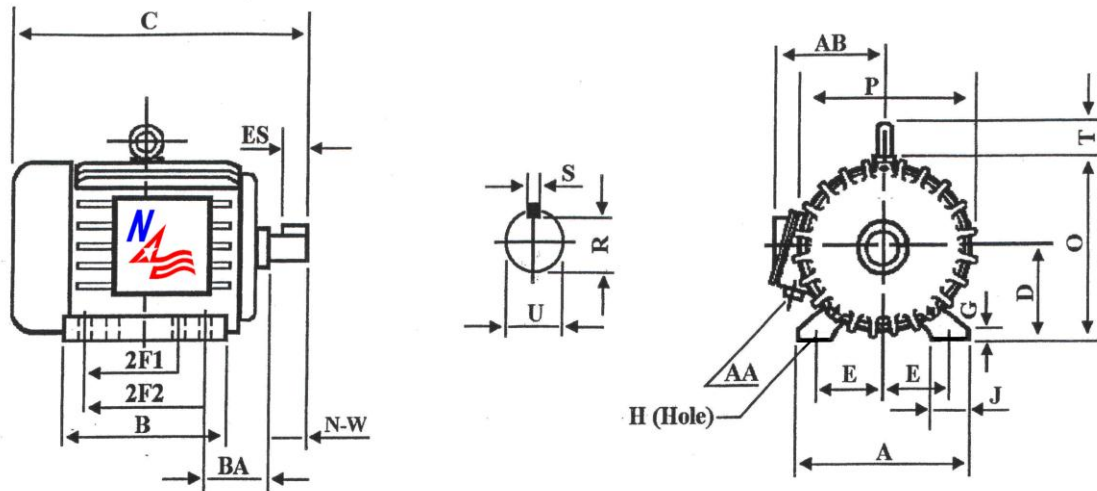


PE143T-1.5-2

PREMIUM EFFICIENT / INVERTER DUTY MOTOR

Minimum Guaranteed Full Load Efficiency =81.5% - Inverter Duty (20:1 Variable Torque; 10:1 Constant Torque)



DIMENSIONS – INCHES

A	B	C	D	E	2F1	2F2	G	H	J	O
7.0	5.2	12.6	3.5	2.75	4.0	NA	.5	.34	1.45	7.1
P	R	S	T	U	ES	AA	AB	BA	N-W	Mount
6.95	.771	.188	NA	.875	1.41	.75	6.1	2.25	2.25	F1

PERFORMANCE DATA

Three Phase – TEFC – AC Motor – 60Hz - 208-230/460V – NEMA Design B - Max. Ambient: 40° C

HP	Speed	Frame	NEMA Code	Efficiency (%)			Power Factor (%)			Torque (ft-lb)		
				100%	75%	50%	100%	75%	50%	FLT	BDT%	LRT%
1.5	3500	143T	M	84.0	83.6	82.1	85.0	78.0	66.0	2.22	320	260
Amps (460V)		DE Bearing	ODE Bearing	Insulation Class	Enclosure Type	Service Factor	Weight (lbs)					
FLA	LRA											
2.0	20	6205ZZ	6205ZZ	F	TEFC	1.15	46					

