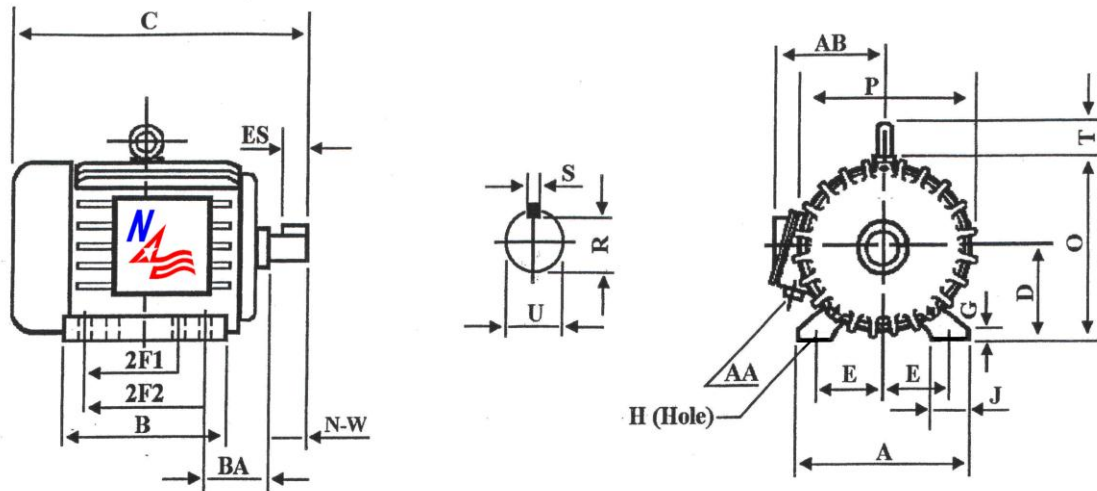


## PE445T-125-6

### PREMIUM EFFICIENT / INVERTER DUTY MOTOR

Minimum Guaranteed Full Load Efficiency =94.1% - Inverter Duty (20:1 Variable Torque; 10:1 Constant Torque)



#### DIMENSIONS – INCHES

A	B	C	D	E	2F1	2F2	G	H	J	O
21.7	22.9	44.3	11.0	9.0	14.5	16.5	1.3	.81	3.15	22.1
P	R	S	T	U	ES	AA	AB	BA	N-W	Mount
21.6	2.88	.875	3.0	3.375	6.91	3.0	16.6	7.0	8.5	F1

#### PERFORMANCE DATA

Three Phase – TEFC – AC Motor – 60Hz - 460V – NEMA Design B - Max. Ambient: 40° C

HP	Speed	Frame	NEMA Code	Efficiency (%)			Power Factor (%)			Torque (ft-lb)		
				100%	75%	50%	100%	75%	50%	FLT	BDT%	LRT%
125	1180	445T	G	94.1	94.1	93.5	89.0	88.0	83.0	557	200	190
Amps ( 460V)		DE Bearing	ODE Bearing	Insulation Class	Enclosure Type	Service Factor	Weight (lbs)					
FLA	LRA											
141	907	NU319	6318	F	TEFC	1.15	1443					



North American Electric, Inc. 350 Vaiden Drive, Hernando, MS 38632

Toll Free: 1-800-884-0405 Phone: 662-429-8049 Fax: 662-429-8546

[www.naemotors.com](http://www.naemotors.com)