



**North American Electric, Inc.**

**"Your Source for a Complete Line of Electric Motors & Gearing"**



**Shaft Mount Reducers  
& Accessories**

## **Mission Statement**

To provide the United States market with industrial motors, controls and gearing products which meet or exceed customer expectations for quality, performance, and reliability. Provided at the lowest possible cost and delivered in accordance with the customer's schedule, through our authorized distributor network.

## **Company History**

North American Electric, Inc. is a wholesale supplier of Special Purpose and General Purpose, AC electric motors, controls and gearing products. We take pride in supplying high performance, high quality products at extremely competitive prices throughout the United States. Donald E. Hackman, Sr. and David E. Hackman founded the company in October of 1993. The company's primary focus is sourcing quality electric motors and gearing products from various manufacturers, both locally and internationally, and distributing them throughout the United States through local distributors and service centers. Our nationwide distributor and service network offer strong local support for our products by providing critical logistical, technical, marketing, sales and maintenance support, as well as fast, friendly customer service.

## **WARRANTY POLICY**

All NBS shaft mount reducers sold by North American Electric, Inc. are warranted to be free from defects in material and workmanship. The warranty period is 24 months from the date of manufacture, or one year from the date the reducer is installed (put into service). North American Electric, Inc. shall, at its option and expense, either repair or replace any failed reducer or part, which is defective, within the warranty period. To be covered under warranty, the reducer must have, at all times, been operated or used under normal operating conditions for which the reducer was designed. In the event of warranty claims, North American Electric, Inc. must be notified promptly following any reducer failure. The reducer should be sent to a North American Electric, Inc. authorized service center to determine the cause of failure and the warranty procedure outlined below must be strictly followed. After the examination, a determination will be made if the failure was due to defective material and/or workmanship. If the failure was due to defective material and/or workmanship, North American Electric, Inc. will replace or repair the reducer. North American Electric's liability under this warranty or any other warranty whether expressed or implied in law or fact shall be limited to the repair or replacement of defective material and workmanship, and in no event shall North American Electric, Inc. be liable for consequential or indirect damages, including freight.

**YOUR SOURCE FOR A COMPLETE LINE OF ELECTRIC MOTORS !!!**

	<p><b><u>SINGLE PHASE, 56C FRAME, TEFC</u></b>  <b>1/3-2 HP 2,4 POLE</b>  HIGH STARTING TORQUES MANUAL OVERLOAD PROTECTION (OPTIONAL)  CAPACITOR START / CAPACITOR RUN DESIGN  ROLLED STEEL FRAME CONSTRUCTION IP55 PROTECTION-REMOVABLE FEET</p>		<p><b><u>NEMA PREMIUM EFFICIENCY INVERTER DUTY MOTORS</u></b>  MEETS OR EXCEEDS NEMA PREMIUM EFFICIENCY LEVELS QUALIFIES FOR ENERGY EFFICIENCY REBATES</p>
	<p><b><u>SINGLE PHASE, FARM DUTY, TEFC</u></b>  <b>1/3-10 HP 4 POLE</b>  HIGH STARTING TORQUES MANUAL OVERLOAD PROTECTION (1/3 THRU 5 HP)  CAPACITOR START / CAPACITOR RUN DESIGN  ROLLED STEEL FRAMES CAST IRON ENDBELLS</p>		<p><b><u>PREMIUM CRUSHER DESIGN MOTORS</u></b>  <b>1-600 HP 4,6,8 POLE</b>  NEMA DESIGN C HIGH STRENGTH 4140 GRADE STAINLESS STEEL SHAFT  586/7U FRAME HEAVY DUTY CAST IRON CONSTRUCTION (INCLUDING FAN COVER)  BEARING SIZES: DE=NU324 ODE=6324</p>
	<p><b><u>SINGLE PHASE OPEN DRIPPROOF</u></b>  <b>3,5 HP 4 POLE</b>  HIGH STARTING TORQUES  CAPACITOR START / CAPACITOR RUN DESIGN  ROLLED STEEL FRAME CONSTRUCTION CAST IRON ENDBELLS</p>		<p><b><u>PREMIUM EFFICIENCY EXPLOSION PROOF MOTORS</u></b>  <b>1-300 HP 2,4,6 POLE</b>  ALL MOTORS MEET OR EXCEED UL 674 SPECIFICATION AS REQUIRED BY OSHA FOR INSTALLATION AND USE IN HAZARDOUS LOCATIONS.  CLASS I, DIVISION I, GROUPS C&amp;D AND CLASS II, DIVISION I, GROUPS E,F AND G  UL CERTIFIED - FILE E228654  CSA + "C" + "US" - CANADIAN STANDARD ISO9001</p>
	<p><b><u>THREE PHASE, 56C FRAME, TEFC</u></b>  <b>1/3-3 HP 2,4 POLE</b>  HIGH EFFICIENCY DESIGN GENERAL PURPOSE MOTORS  ROLLED STEEL FRAME CONSTRUCTION, ALUMINUM ENDBELLS  IP55 PROTECTION REMOVABLE FEET</p>		<p><b><u>OIL WELL PUMP MOTORS, TEFC</u></b>  <b>3-150 HP 6 POLE</b>  NEMA DESIGN D HIGH SLIP(5% TO 8% SLIP) SPECIAL PURPOSE OIL WELL PUMP MOTORS  HEAVY DUTY CAST IRON FRAME CONSTRUCTION</p>
	<p><b><u>THREE PHASE, TEFC ROLLED STEEL MOTORS</u></b>  PREMIUM EFFICIENCY DESIGN-GENERAL PURPOSE,  LIGHT WEIGHT ROLLED STEEL FRAME</p>		<p><b><u>PREMIUM EFFICIENCY ALUMINUM MOTORS</u></b>  <b>1-10 HP 2,4 POLE</b>  HIGH EFFICIENCY DESIGN GENERAL PURPOSE, THREE PHASE, TEFC MOTORS  LIGHT WEIGHT ALUMINUM FRAME</p>
	<p><b><u>THREE PHASE OPEN DRIPPROOF</u></b>  <b>1-15 HP 2,4 POLE</b>  PREMIUM EFFICIENCY DESIGN GENERAL PURPOSE MOTORS  ROLLED STEEL FRAME CONSTRUCTION, CAST IRON ENDBELLS</p>		<p><b><u>VERTICAL HOLLOW SHAFT PUMP MOTORS</u></b>  <b>10 HP - 250 HP, 4 POLE</b>  HIGH TORQUE - HIGH THRUST</p>
	<p><b><u>STAINLESS STEEL WASHDOWN DUTY MOTORS</u></b>  <b>1/3 HP - 20HP 2,4,6 POLE</b>  IP 67 PROTECTION  INVERTER DUTY</p>		<p><b><u>SHAFT MOTOR REDUCERS</u></b>  SIZES 2-8  GEAR RATIOS: 15:1 &amp; 25:1</p>
	<p><b><u>CLOSE COUPLED PUMP MOTORS</u></b>  <b>1-50 HP, CAST IRON</b>  HIGH EFFICIENCY  CORROSION RESISTANT PAINT</p>		<p><b><u>ELECTRIC MOTOR CONTROL</u></b>  FULL VOLTAGE STARTERS  SOFT STARTS  INVERTERS  PUMP PACKAGES</p>
			<p><b><u>MOTOR SLIDE BASES</u></b>  AVAILABLE 56C THRU 505U</p>

# Shaft Mount Reducers

- Gear Box Sizes 2-8
- Extra Long Mounting Bolts
- Ratios 15:1 & 25:1
- ISO 9001

Case Hardened  
Steel Shafts & Gears

Corrosion Resistant  
Case

CEMA Adapter  
Bolt Holes

Meets or Exceeds  
AGMA 9 Standards

Double Lip  
Seals

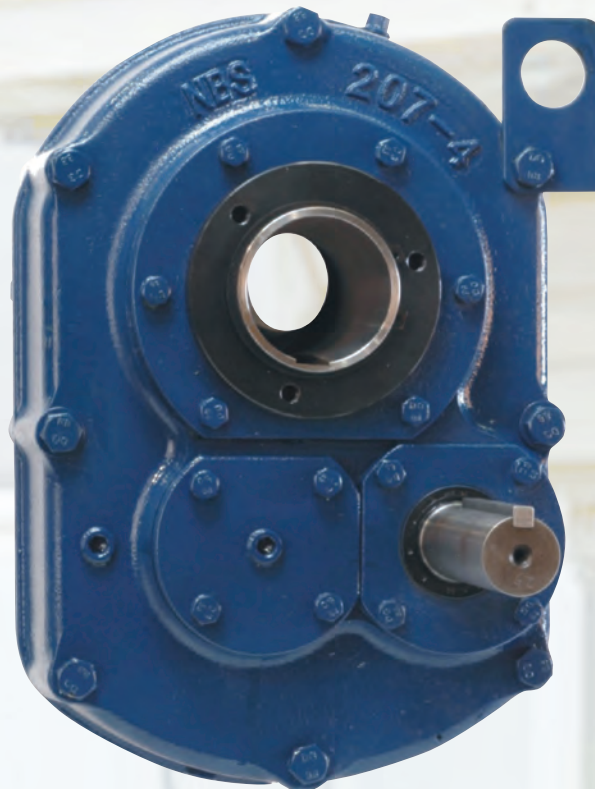
Computerized Design  
and Construction

High Quality  
Bearings

Screw Conveyor  
Adaptable

Torque Arm  
Included

A "Drop-In" for  
Dodge®\*



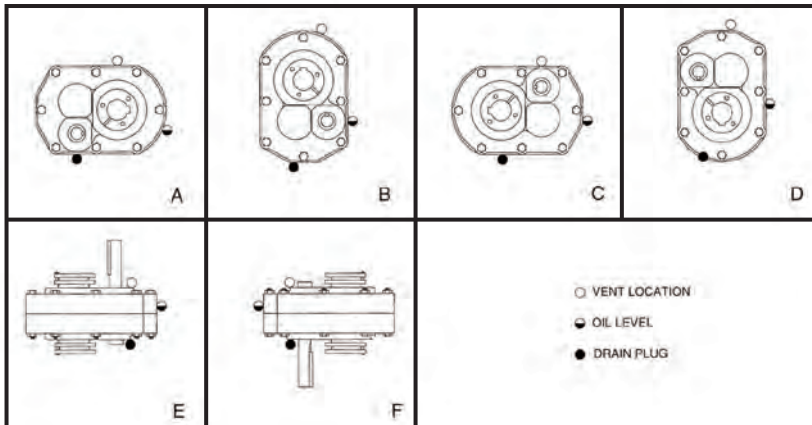
\* Dodge is a trademark of Baldor Electric Company, which does not sponsor or authorize, or is otherwise affiliated with this product.



## SHAFT MOUNT GEAR REDUCERS

OUR MODEL NUMBER	DESCRIPTION			LIST PRICE
	BOX SIZE	RATIO	OUTPUT BORE (MAX)	
NBS-115-2-15	2	15:1	1-15/16"	\$911
NBS-115-2-25	2	25:1	1-15/16"	\$911
NBS-203-3-15	3	15:1	2-3/16"	\$1,618
NBS-203-3-25	3	25:1	2-3/16"	\$1,618
NBS-207-4-15	4	15:1	2-7/16"	\$2,188
NBS-207-4-25	4	25:1	2-7/16"	\$2,188
NBS-215-5-15	5	15:1	2-15/16"	\$3,287
NBS-215-5-25	5	25:1	2-15/16"	\$3,287
NBS-307-6-15	6	15:1	3-7/16"	\$4,295
NBS-307-6-25	6	25:1	3-7/16"	\$4,295
NBS-315-7-15	7	15:1	3-15/16"	\$8,500
NBS-315-7-25	7	25:1	3-15/16"	\$8,500
NBS-407-8-15	8	15:1	4-7/16"	\$11,654
NBS-407-8-25	8	25:1	4-7/16"	\$11,654

Mounting Positions



**CAUTION**

North American Electric Shaft Mount Reducers are **shipped without oil**. The Reducer must be filled with the proper amount of oil according to the mounting position table to the left. Failure to fill the case with oil could result in the failure of the reducer and damage to the associated equipment.

Model Number	Approximate Capacity (Quarts & Liters)					
	Position A	Position B	Position C	Position D	Position E	Position F
NBS-115-2	.88 Quarts	1.0 Quarts	.63 Quarts	1.0 Quarts	1.6 Quarts	2.0 Quarts
	.83 Liters	.95 Liters	.59 Liters	.95 Liters	1.5 Liters	1.7 Liters
NBS-203-3	1.5 Quarts	1.5 Quarts	.75 Quarts	2.3 Quarts	2.6 Quarts	3.0 Quarts
	1.4 Liters	1.4 Liters	.71 Liters	2.1 Liters	2.5 Liters	2.8 Liters
NBS-207-4	1.9 Quarts	2.3 Quarts	1.3 Quarts	1.8 Quarts	3.4 Quarts	4.3 Quarts
	1.8 Liters	2.2 Liters	1.2 Liters	1.7 Liters	3.2 Liters	4.1 Liters
NBS-215-5	3.3 Quarts	4.0 Quarts	3.25 Quarts	4.0 Quarts	7.0 Quarts	8.6 Quarts
	3.1 Liters	3.8 Liters	3.08 Liters	3.8 Liters	6.6 Liters	8.1 Liters
NBS-307-6	4.3 Quarts	5.2 Quarts	4.25 Quarts	5.0 Quarts	8.6 Quarts	9.1 Quarts
	4.0 Liters	4.7 Liters	4.00 Liters	4.7 Liters	8.2 Liters	8.6 Liters
NBS-315-7	6.5 Quarts	8.0 Quarts	7.25 Quarts	9.3 Quarts	15 Quarts	16 Quarts
	6.1 Liters	7.6 Liters	6.86 Liters	8.8 Liters	14 Liters	16 Liters
NBS-407-8	8.5 Quarts	11 Quarts	11 Quarts	8.5 Quarts	19 Quarts	19 Quarts
	8.0 Liters	10 Liters	10 Liters	8.0 Liters	18 Liters	18 Liters

## Shaft Mount Reducer Accessories



**Belt Guard**



**Torque Arm Included  
With Shaft Mount Reducer**



**Motor Mount**



**Backstops and  
Tapered Bushings**

## NBS SHAFT MOUNT PARTS AND ACCESSORIES

### BELT GUARDS

MODEL NUMBER	DESCRIPTION		LIST PRICE
NBS-BG-2	Belt Guard -	Size 2 Box	\$387
NBS-BG-3	Belt Guard -	Size 3 Box	\$440
NBS-BG-4	Belt Guard -	Size 4 Box	\$505
NBS-BG-5	Belt Guard -	Size 5 Box	\$557
NBS-BG-6	Belt Guard -	Size 6 Box	\$634
NBS-BG-7	Belt Guard -	Size 7 Box	\$746
NBS-BG-8	Belt Guard -	Size 8 Box	\$878

### BUSHING KITS

MODEL NUMBER	DESCRIPTION		LIST PRICE
NBS-BK-2-1.1516	Bushing Kit -	Bushing Size - 1-15/16"	\$134
NBS-BK-2-1.1116	Bushing Kit -	Bushing Size - 1-11/16"	\$134
NBS-BK-2-1.0716	Bushing Kit -	Bushing Size - 1-7/16"	\$134
NBS-BK-3-2.0316	Bushing Kit -	Bushing Size - 2-3/16"	\$164
NBS-BK-3-2.0000	Bushing Kit -	Bushing Size - 2"	\$164
NBS-BK-3-1.1516	Bushing Kit -	Bushing Size - 1-15/16"	\$164
NBS-BK-4-2.0716	Bushing Kit -	Bushing Size - 2-7/16"	\$227
NBS-BK-4-2.0316	Bushing Kit -	Bushing Size - 2-3/16"	\$227
NBS-BK-5-2.1516	Bushing Kit -	Bushing Size - 2-15/16"	\$313
NBS-BK-5-2.0102	Bushing Kit -	Bushing Size - 2-1/2"	\$313
NBS-BK-5-2.0716	Bushing Kit -	Bushing Size - 2-7/16"	\$313
NBS-BK-6-3.0716	Bushing Kit -	Bushing Size - 3-7/16"	\$407
NBS-BK-6-2.1516	Bushing Kit -	Bushing Size - 2-15/16"	\$407
NBS-BK-7-3.1516	Bushing Kit -	Bushing Size - 3-15/16"	\$547
NBS-BK-7-3.0716	Bushing Kit -	Bushing Size - 3-7/16"	\$547
NBS-BK-8-4.0716	Bushing Kit -	Bushing Size - 4-7/16"	\$664
NBS-BK-8-3.1516	Bushing Kit -	Bushing Size - 3-15/16"	\$664
NBS-BK-8-3.0716	Bushing Kit -	Bushing Size - 3-7/16"	\$664

*Effective Date: January 1, 2012*

## NBS SHAFT MOUNT PARTS AND ACCESSORIES

### BACKSTOPS

MODEL NUMBER	DESCRIPTION			LIST PRICE
NBS-BSA-2	Backstop Assembly Kit -	Size 2 Box		\$214
NBS-BSA-3	Backstop Assembly Kit -	Size 3 Box		\$273
NBS-BSA-4	Backstop Assembly Kit -	Size 4 Box		\$273
NBS-BSA-5	Backstop Assembly Kit -	Size 5 Box		\$325
NBS-BSA-6	Backstop Assembly Kit -	Size 6 Box		\$616
NBS-BSA-7	Backstop Assembly Kit -	Size 7 Box		\$616
NBS-BSA-8	Backstop Assembly Kit -	Size 8 Box		\$1,350

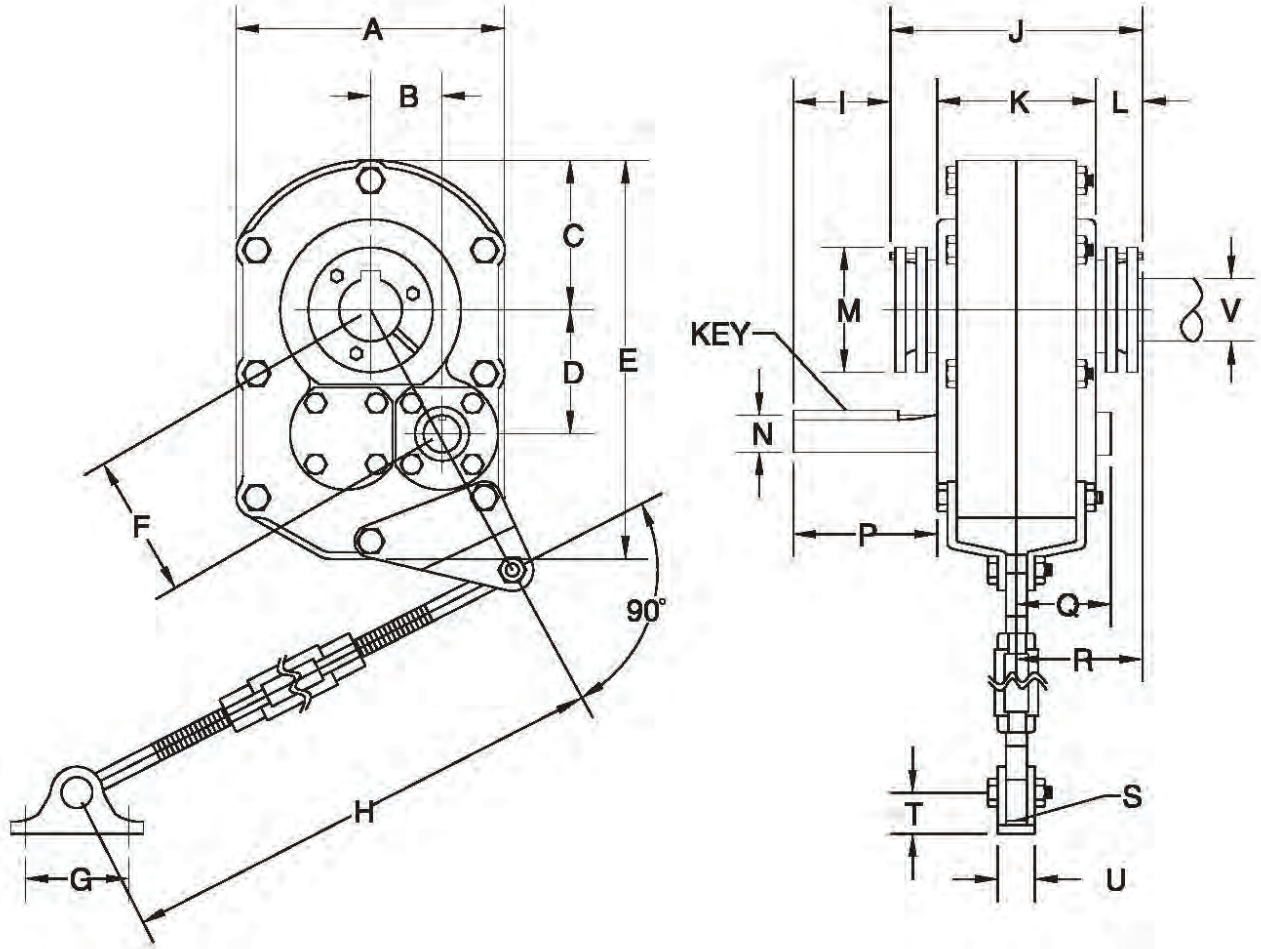
### MOTOR MOUNTS

MODEL NUMBER	DESCRIPTION			LIST PRICE
NBS-MM-2	Motor Mount -	Size 2 Box -	56 - 215T Frames	\$387
NBS-MM-3	Motor Mount -	Size 3 Box -	56 - 215T Frames	\$398
NBS-MM-4	Motor Mount -	Size 4 Box -	143T - 286T Frames	\$621
NBS-MM-5	Motor Mount -	Size 5 Box -	143T - 286T Frames	\$621
NBS-MM-6	Motor Mount -	Size 6 Box -	143T - 326T Frames	\$864
NBS-MM-7	Motor Mount -	Size 7 Box -	143T - 365T Frames	\$927
NBS-MM-8	Motor Mount -	Size 8 Box -	213T - 365T Frames	\$1,112

### TORQUE ARMS

MODEL NUMBER	DESCRIPTION			LIST PRICE
NBS-TA-2	Torque Arm -	Size 2 Box -	56 - 215T Frames	\$62
NBS-TA-3	Torque Arm -	Size 3 Box -	56 - 215T Frames	\$62
NBS-TA-4	Torque Arm -	Size 4 Box -	143T - 286T Frames	\$112
NBS-TA-5	Torque Arm -	Size 5 Box -	143T - 286T Frames	\$112
NBS-TA-6	Torque Arm -	Size 6 Box -	143T - 326T Frames	\$167
NBS-TA-7	Torque Arm -	Size 7 Box -	143T - 365T Frames	\$327
NBS-TA-8	Torque Arm -	Size 8 Box -	213T - 365T Frames	\$414

*Effective Date: January 1, 2012*



Model	A	B	C	D	E	F	G	H min/max	I	J	K
NBS-115-2	8.38	2.14	4.09	3.75	11.41	4.32	3.00	26.94/32.94	2.22	7.32	4.50
NBS-203-3	9.25	2.33	4.84	4.17	12.88	4.78	3.00	26.94/32.94	2.34	9.22	5.63
NBS-207-4	10.38	2.76	5.50	4.79	15.13	5.53	4.00	29.19/35.14	3.44	9.98	6.13
NBS-215-5	13.13	3.04	6.56	5.67	18.31	6.43	4.00	29.19/35.19	3.44	10.52	6.31
NBS-307-6	15.43	4.09	7.56	6.73	21.31	7.88	4.75	29.19/35.19	3.73	11.53	6.88
NBS-315-7	18.75	5.11	9.38	8.30	25.94	9.74	4.75	29.44/35.44	3.75	12.85	7.75
NBS-407-8	20.25	6.03	10.13	9.50	28.25	11.25	4.75	30.00/36.00	4.31	14.03	8.37

Model	L	M	O	R	S	T	U	V Max Dia	Input Shaft			Approximate Weight (LB)
									N Dia	P	Key	
NBS-115-2	1.40	4.06	2.89	3.68	0.44	1.06	1.25	1 15/16	1.13	3.59	1/4x1/4x2-1/2	58
NBS-203-3	1.59	4.38	3.30	3.72	0.44	1.06	1.25	2 3/16	1.25	4.34	1/4x1/4x2-7/8	98
NBS-207-4	1.72	4.81	3.41	3.91	0.50	1.75	1.44	2 7/16	1.44	5.57	3/8x3/8x4-1/16	139
NBS-215-5	1.91	5.63	4.45	5.05	0.50	1.75	1.44	2 15/16	1.94	5.74	1/2x1/2x4-11/2	207
NBS-307-6	2.30	6.13	4.57	5.73	0.63	2.00	2.75	3 7/16	2.19	6.08	1/2x1/2x4-1/2	285
NBS-315-7	2.50	7.25	4.69	6.38	0.63	2.00	2.75	3 15/16	2.44	6.35	5/8x5/8x4-3/4	462
NBS-407-8	2.86	7.75	5.85	7.04	0.75	3.13	4.00	4 7/16	2.44	7.11	5/8x5/8x5-3/8	633

## CLASS 1 CHART

HP	Output RPM	Reducer Selection		Minimum Sheave Dia.
0.5	2-6	NBS115-2-25		3
0.75	4-5	NBS203-3-25		4
	6-10	NBS115-2-25		3
1	4-5	NBS207-4-25		4.6
	6-7	NBS203-3-25		4
	8-15	NBS115-2-25		3
1.5	4	NBS215-5-25		5.4
	5-7	NBS207-4-25		4.6
	8-12	NBS203-3-25		4
2	13-23	NBS115-2-25		3
	4-6	NBS215-5-25		5.4
	7-10	NBS207-4-25		4.6
3	11-17	NBS203-3-25		4
	18-32	NBS115-2-25	NBS115-2-15	3
	4-5	NBS307-6-25		6.2
	6-10	NBS215-5-25		5.4
5	11-15	NBS207-4-25		4.6
	16-26	NBS203-3-25		4
	27-51	NBS115-2-25	NBS115-2-15	3
	5-6	NBS315-7-25		6.2
	7-9	NBS307-6-25		6.2
	10-17	NBS215-5-25		5.4
	18-26	NBS207-4-25	NBS207-4-15	4.6
	27-46	NBS203-3-25	NBS203-3-15	4
7.5	47-70	NBS115-2-25	NBS115-2-15	3
	71-85	NBS115-2-25	NBS115-2-15	3
	86-92		NBS115-2-15	3
	4-6	NBS407-8-25		6.2
	7-9	NBS315-7-25		6.2
	10-15	NBS307-6-25		6.2
	16-26	NBS215-5-25		5.4
	27-40	NBS207-4-25	NBS207-4-15	4.6
10	41-70	NBS203-3-25	NBS203-3-15	4
	71-74	NBS203-3-25	NBS203-3-15	4
	75-85	NBS115-2-25	NBS115-2-15	3
	86-95	NBS115-2-15		3
	96-140	NBS115-2-15		3
	6-8	NBS407-8-25		6.2
	9-12	NBS315-7-25		6.2
	13-20	NBS307-6-25		6.2
15	21-36	NBS215-5-25	NBS207-4-15	5.4
	37-56	NBS207-4-25	NBS203-3-15	4.6
	57-70	NBS203-3-25	NBS203-3-15	4
	71-85	NBS203-3-25	NBS203-3-15	4
	86-103	NBS203-3-15		4
	104-115	NBS115-2-15		3
	141-158	NBS115-2-15		3
	9-13	NBS407-8-25		6.2

HP	Output RPM	Reducer Selection		Minimum Sheave Dia.
15	14-19	NBS315-7-25		6.2
	20-32	NBS307-6-25	NBS307-7-15	6.2
	33-56	NBS215-5-25	NBS215-6-15	5.4
	57-70	NBS207-4-25	NBS207-4-15	4.6
	71-85	NBS207-4-25		4.6
	86-93	NBS207-4-15		4.6
	94-115	NBS203-3-15		4
	116-140	NBS203-3-15		4
20	13-18	NBS407-8-25		6.2
	19-26	NBS315-7-25	NBS315-7-15	6.2
	27-45	NBS307-6-25	NBS307-6-15	6.2
	46-70	NBS215-5-25	NBS215-5-15	5.4
	71-78	NBS215-5-25	NBS215-5-15	5.4
	79-85	NBS207-4-25	NBS207-4-15	4.6
	86-115	NBS207-4-15		4.6
	116-140	NBS207-4-15*		4.6
25	16-23	NBS407-8-25		6.2
	24-33	NBS315-7-25	NBS315-7-15	6.2
	34-59	NBS307-6-25	NBS307-6-15	6.2
	60-70	NBS215-5-25*	NBS215-5-15	5.4
	71-80	NBS215-5-25*	NBS215-5-15	5.4
	81-101	NBS215-5-15*		5.4
	102-132	NBS207-4-15*		4.6
	133-140	NBS207-4-15*		4.6
30	20-28	NBS407-8-25	NBS407-8-15	6.2
	29-41	NBS315-7-25	NBS315-7-15	6.2
	42-70	NBS307-7-25	NBS307-6-15	6.2
	71-75	NBS307-7-25	NBS307-6-15	6.2
	76-115	NBS215-5-15*		5.4
40	116-125	NBS215-5-15*		5.4
	26-38	NBS407-8-25	NBS407-8-15	6.2
	39-57	NBS315-7-25	NBS315-7-15	6.2
	58-70	NBS307-6-25	NBS307-6-15	6.2
	71-81	NBS307-6-25*	NBS307-6-15*	6.2
	82-114	NBS307-6-15*		6.2
	115-125	NBS215-5-15*		5.4
50	33-49	NBS407-8-25	NBS407-8-15	6.2
	50-70	NBS315-7-25	NBS315-7-15	6.2
	71-74	NBS315-7-25	NBS315-7-15	6.2
	75-125	NBS307-6-15*		6.2
60	40-60	NBS407-8-25	NBS407-8-15	6.2
	61-70	NBS315-7-25*	NBS315-7-15*	6.2
	71-120	NBS315-7-15*		6.2
75	51-70	NBS407-8-25	NBS407-8-15	6.2
	71-78		NBS407-8-15*	6.2
	79-120	NBS315-7-15*		6.2
100	70-120		NBS407-8-15*	6.2
125	91-123		NBS407-8-15*	6.2

\*Additional cooling provisions may be required, consult the factory with application details

## CLASS 2 CHART

HP	Output RPM	Reducer Selection		Minimum Sheave Dia.
0.5	4-5	NBS203-3-25		4
	6-9	NBS115-2-25		3
0.75	4-5	NBS207-4-25		4.6
	6-8	NBS203-3-25		4
	9-16	NBS115-2-25		3
1	5-7	NBS207-4-25		4.6
	8-11	NBS203-3-25		4
	12-22	NBS115-2-25		3
1.5	5-6	NBS215-5-25		5.4
	7-11	NBS207-4-25		4.6
	12-18	NBS203-3-25		4
	19-34	NBS115-2-25	NBS115-2-15	3
2	4-5	NBS307-6-25		6.2
	6-9	NBS215-5-25		5.4
	10-14	NBS207-4-25		4.6
	15-24	NBS203-3-25	NBS203-3-15	4
	25-47	NBS115-2-25	NBS115-2-15	3
3	4-5	NBS315-7-25		6.2
	6-8	NBS307-6-253		6.2
	9-14	NBS215-5-25		5.4
	15-22	NBS207-4-25	NBS207-4-15	4.6
	23-38	NBS203-3-25	NBS203-3-15	4
	39-70	NBS115-2-25	NBS115-2-15	3
	71-75	NBS115-2-25	NBS115-2-15	3
5	4-6	NBS407-8-25		6.2
	7-8	NBS315-7-25		6.2
	9-14	NBS307-6-25		6.2
	15-24	NBS215-5-25		5.4
	25-37	NBS207-4-25	NBS207-4-15	4.6
	38-69	NBS203-3-25	NBS203-3-15	4
	70-85	NBS115-2-25	NBS115-2-15	3
	86-89	NBS115-2-25		3
	90-136	NBS115-2-25		3
7.5	6-9	NBS407-8-25		6.2
	10-13	NBS315-7-25		6.2
	14-21	NBS307-6-25		6.2
	22-38	NBS215-5-25	NBS215-5-15	5.4
	39-59	NBS207-4-25	NBS207-4-15	4.6
	60-70	NBS203-3-25	NBS203-3-15	4
	71-85	NBS203-3-25	NBS203-3-15	4
	86-110	NBS203-3-15		4
	111-122	NBS115-2-15		3
	123-140	NBS115-2-15		3

\*Additional cooling provisions may be required, consult the factory with application details

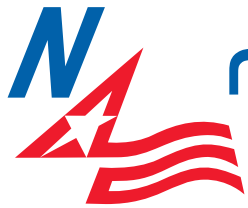
HP	Output RPM	Reducer Selection		Minimum Sheave Dia.	
10	8-12	NBS407-8-25		6.2	
	13-18	NBS315-7-25		6.2	
	19-29	NBS307-6-25	NBS307-6-15	6.2	
	30-52	NBS215-5-25	NBS215-5-15	5.4	
	53-70	NBS207-4-25	NBS207-4-15	4.6	
	71-84	NBS207-4-25	NBS207-4-15	4.6	
	85-130	NBS203-3-15		4	
	131-140	NBS203-3-15		4	
15	13-19	NBS407-8-25		6.2	
	20-27	NBS315-7-25		6.2	
	28-47	NBS307-6-25	NBS307-6-15	6.2	
	48-70	NBS215-5-25	NBS215-5-15	5.4	
	71-82	NBS215-5-25	NBS215-5-15	5.4	
	83-117	NBS207-4-15		4.6	
	118-140	NBS207-4-15		4.6	
20	18-26	NBS407-8-25		6.2	
	27-38	NBS315-7-25	NBS315-7-15	6.2	
	39-68	NBS307-6-25	NBS307-6-15	6.2	
	69-80	NBS215-5-25	NBS215-5-15	5.4	
	81-89		NBS215-5-15	5.4	
	91-117	NBS215-5-15*		5.4	
25	118-125	NBS207-4-15*		4.6	
	23-33	NBS407-8-25	NBS407-8-15	6.2	
	34-49	NBS315-7-25	NBS315-7-15	6.2	
	50-80	NBS307-6-25	NBS307-6-15	6.2	
	81-94	NBS307-6-15		6.2	
30	95-125	NBS215-5-15*		5.4	
	28-41	NBS407-8-25	NBS407-8-15	6.2	
	42-60	NBS315-7-25	NBS315-7-15	6.2	
	61-76	NBS307-6-25	NBS307-6-15	6.2	
	77-89	NBS307-6-15		6.2	
	90-125	NBS307-6-15*		6.2	
	40	37-56	NBS407-8-25	NBS407-8-15	6.2
		57-75	NBS315-7-25	NBS315-7-15	6.2
76-88			NBS315-7-15	6.2	
89-114		NBS307-6-15*		6.2	
115-120		NBS307-6-15*		6.2	
50	47-70	NBS407-8-25	NBS407-8-15	6.2	
	71-72	NBS407-8-25	NBS407-8-15	6.2	
	73-95		NBS315-7-15*	6.2	
	96-110	NBS315-7-15*		6.2	
	111-120	NBS315-7-15*		6.2	
	60	71-75	NBS407-8-25	NBS407-8-15	6.2
76-89			NBS407-8-15	6.2	
90-120		NBS315-7-15*		6.2	
75	74-75	NBS407-8-25	NBS407-8-15	6.2	
	76-120		NBS407-8-15*	6.2	

## CLASS 3 CHART

HP	Output RPM	Reducer Selection		Minimum Sheave Dia.
0.25	4-6	NBS115-2-25		3
0.33	5-9	NBS115-2-25		3
0.5	4-5	NBS207-4-25		4.6
	6-7	NBS203-3-25		4
	8-15	NBS115-2-25		3
0.75	4-00	NBS215-5-25		5.4
	5-7	NBS207-4-25		4.6
	8-12	NBS203-3-25		4
	13-23	NBS115-2-25		3
1	4-6	NBS215-5-25		5.4
	7-10	NBS207-4-25		4.6
	11-17	NBS203-3-25		4
	18-32	NBS115-2-25		3
1.5	4-5	NBS307-6-25		6.2
	6-10	NBS215-5-25		5.4
	11-15	NBS207-4-25		4.6
	16-26	NBS203-3-25		4
	27-51	NBS115-2-25	NBS115-2-15	3
2	5-7	NBS307-6-25		6.2
	8-13	NBS215-5-25		5.4
	14-21	NBS207-4-25		4.6
	22-36	NBS203-3-25	NBS203-3-15	4
	37-71	NBS115-2-25	NBS115-2-15	3
3	4-5	NBS407-8-25		6.2
	6-7	NBS315-7-25		6.2
	8-12	NBS307-6-25		6.2
	13-20	NBS215-5-25		5.4
	21-32	NBS207-4-25	NBS207-4-15	4.6
	33-57	NBS203-3-25	NBS203-3-15	4
	58-70	NBS115-2-25	NBS115-2-15	3
	71-85	NBS115-2-25	NBS115-2-15	3
	86-89	NBS115-2-15		3
90-113	NBS115-2-15		3	
5	6-8	NBS407-8-25		6.2
	9-12	NBS315-7-25		6.2
	13-20	NBS307-6-25		6.2
	21-36	NBS215-5-25	NBS215-5-15	5.4
	37-56	NBS207-4-25	NBS207-4-15	4.6
	57-70	NBS203-3-25	NBS203-3-15	4
	71-85	NBS203-3-25	NBS203-3-15	4
	86-103	NBS203-3-15		4
	104-114	NBS115-2-15		3
	115-140	NBS115-2-15		3

HP	Output RPM	Reducer Selection		Minimum Sheave Dia.
7.5	9-13	NBS407-8-25		6.2
	14-19	NBS315-7-25		6.2
	20-32	NBS307-6-25	NBS307-6-15	6.2
	33-56	NBS215-5-25	NBS215-5-15	5.4
	57-70	NBS207-4-25	NBS207-4-15	4.6
	71-85	NBS207-4-25	NBS207-4-15	4.6
	86-93	NBS207-4-15		4.6
94-140	NBS203-3-15		4	
10	13-18	NBS407-8-25		6.2
	19-26	NBS315-7-25	NBS315-7-15	6.2
	27-45	NBS307-6-25	NBS307-6-15	6.2
	46-70	NBS215-5-25	NBS215-5-15	5.4
	71-78	NBS215-5-25	NBS215-5-15	5.4
	79-92		NBS207-4-15	4.6
	93-105	NBS207-4-15		4.6
106-141	NBS207-4-15		4.6	
15	20-28	NBS407-8-25	NBS407-8-15	6.2
	29-41	NBS315-7-25	NBS315-7-15	6.2
	42-70	NBS307-6-25	NBS307-6-15	6.2
	71-75	NBS307-6-25	NBS307-6-15	6.2
	76-93		NBS215-5-15	5.4
	97-115	NBS215-5-15		5.4
	116-125	NBS215-5-15		5.4
20	26-38	NBS407-8-25	NBS407-8-15	6.2
	39-57	NBS315-7-25	NBS315-7-15	6.2
	58-70	NBS307-6-25	NBS307-6-15	6.2
	71-114	NBS307-6-15		6.2
	115-125	NBS215-5-15		5.4
	25	33-49	NBS407-8-25	NBS407-8-15
50-70		NBS315-7-25	NBS315-7-15	6.2
71-74		NBS315-7-25	NBS315-7-15	6.2
75-104		NBS307-6-15		6.2
105-113		NBS307-6-15		6.2
114-125		NBS307-6-15	NBS407-8-15	6.2
30	40-60	NBS407-8-25	NBS315-7-15	6.2
	61-70	NBS315-7-25	NBS315-7-15	6.2
	71-98		NBS315-7-15	6.2
	99-125	NBS307-6-15		6.2
40	54-70	NBS407-8-25	NBS407-8-15	6.2
	71-84		NBS407-8-15	6.2
	85-89	NBS315-7-15		6.2
	90-120	NBS315-7-15		6.2
50	70-75	NBS407-8-25	NBS407-8-15	6.2
	76-110		NBS407-8-15	6.2
	111-120	NBS315-7-15		6.2
60			NBS407-8-15	6.2

\*Additional cooling provisions may be required, consult the factory with application details



North American Electric, Inc.

## CUSTOMERS WHO PURCHASE NBS SHAFT MOUNT REDUCERS ALSO USE . . .



**Design C Crusher  
Duty Motors**



**56C Frame Three  
Phase Motors**



**Farm Duty Motors**



**Soft Starts**



Scan the QR Code to see  
our entire Product Line or  
visit: [www.naemotors.com](http://www.naemotors.com)

# Training & Support



On-Site Training for Authorized Distributors



National & Regional Trade Shows & Seminars



Training Videos



**On-Site Training at:**



[www.naemotors.com](http://www.naemotors.com)



**North American Electric, Inc.**



**Scan the QR Code  
To Visit Each Page**



[www.naemotors.com](http://www.naemotors.com)



**Marketing Materials**



**Premium Efficient  
Inverter Duty Motors**



**Vertical Hollow  
Shaft Motors**



**Products Page**



**56C Frame Rolled  
Steel Motors**



**Explosion Proof  
Motors**



**Oil Well Pump  
Motors**

**PO Box 130    350 Vaiden Dr.,    Hernando, MS 38632  
662-429-8049    Fax: 662-429-8546    Toll Free: 1-800-884-0404**



**“Mike The Motor Guy”**



North American Electric, Inc.  
P.O. Drawer 130 • 350 Vaiden Drive  
Hernando, MS 38632  
Phone: 662-429-8049 • Fax: 662-429-8546  
Sales: 800-884-0405  
e-mail: [sales@naemotors.com](mailto:sales@naemotors.com)



[www.naemotors.com](http://www.naemotors.com)