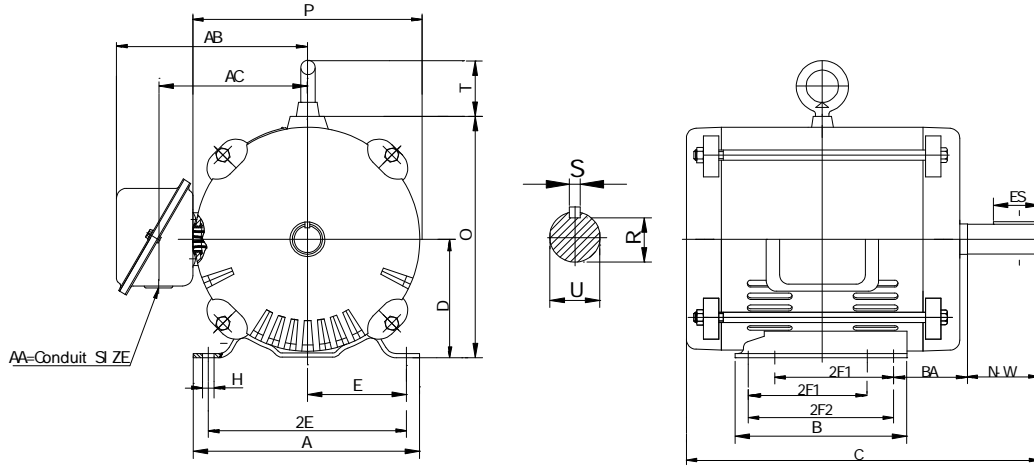


D145T2M4A

General Purpose, Three Phase, Open Dripproof

High starting Torque – Dual Drilled feet -- Rolled Steel --AC Motor



DIMENSIONS – INCHES

| | | | | | | | | | | |
|------|------|------|------|------|------|------|-----|------|------|-------|
| A | B | C | D | E | 2F1 | 2F2 | G | H | AC | O |
| 7.0 | 6.0 | 11.8 | 3.5 | 2.75 | 4.0 | 5.0 | NA | .34 | 4.9 | 7.09 |
| P | R | S | T | U | ES | AA | AB | BA | N-W | Mount |
| 6.89 | .771 | .188 | 1.57 | .875 | 1.41 | 1.10 | 6.5 | 2.25 | 2.25 | F1 |

PERFORMANCE DATA

Three Phase – 60Hz - 208-230/460V – NEMA Design B - Max. Ambient: 40° C

| HP | Speed | Frame | NEMA Code | Efficiency (%) | | | Power Factor | | | Torque (ft-lb) | | |
|--------------|-------|------------|-------------|------------------|----------------|----------------|--------------|------|------|----------------|-----|-----|
| | | | | 100% | 75% | 50% | 100% | 75% | 50% | FLT | BDT | LRT |
| 2 | 1740 | 145T | L | 84.0 | 85.9 | 85.0 | 70.0 | 61.8 | 58.9 | 6.0 | 240 | 170 |
| Amps (460V) | | DE Bearing | ODE Bearing | Insulation Class | Enclosure Type | Service Factor | Weight (lbs) | | | | | |
| FLA | LRA | | | | | | | | | | | |
| 3.1 | 25.0 | 6205ZZ | 6203ZZ | B | ODP | 1.15 | 47.5 | | | | | |

