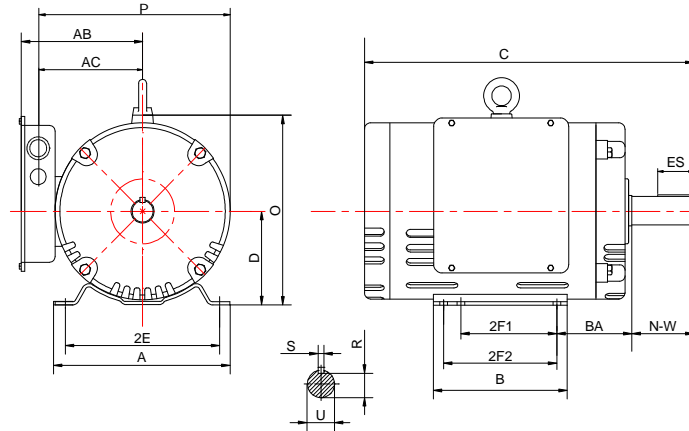


D182T3S4C

Open Dripproof Motor, Single Phase, General Purpose

High Starting Torque – ODP – Rolled Steel Frame -- AC Motor



DIMENSIONS – INCHES

A	B	C	D	E	2F1	2F2	G	H	J	O
8.5	6.5	15.3	4.5	3.75	4.5	5.5	NA	.41	NA	8.5
P	R	S	T	U	ES	AA	AB	BA	N-W	Mount
8.66	.986	.25	1.97	1.125	1.78	1.10	7.0	2.5	2.75	F1

PERFORMANCE DATA

Single Phase – 60Hz - 208-230/460V – NEMA Design L - Max. Ambient: 40° C

HP	Speed	Frame	NEMA Code	Efficiency (%)			Power Factor			Torque (ft-lb)		
				100%	75%	50%	100%	75%	50%	FLT	BDT	LRT
3	1740	182T	H	84.0	82.9	80.2	96	89.6	80.7	9.1	220	280
Amps (230V)		DE Bearing	ODE Bearing	Insulation Class	Enclosure Type	Service Factor	Weight (lbs)					
FLA	LRA											
12.2	76	6206ZZ	6205ZZ	F	TEFC	1.15	88					



North American Electric, Inc. 350 Vaiden Drive, Hernando, MS 38632

Toll Free: 1-800-884-0405 Phone: 662-429-8049 Fax: 662-429-8546

www.naemotors.com