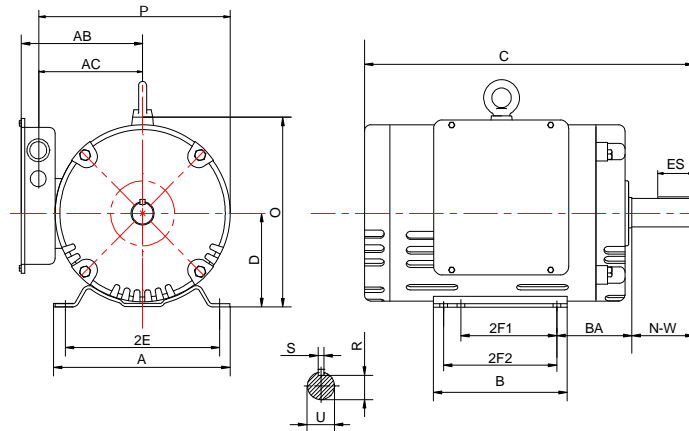


D184T5S4C

Open Drip Proof, Single Phase, Compressor Duty

High Starting Torque – ODP – Rolled Steel Frame -- AC Motor



DIMENSIONS – INCHES

A	B	C	D	E	2F1	2F2	G	H	J	O
8.5	6.5	15.7	4.5	3.75	4.5	5.5	NA	.41	NA	9.25
P	R	S	T	U	ES	AA	AB	BA	N-W	Mount
8.56	.986	.25	2	1.125	1.78	1.375	6.7	2.75	2.75	F1

PERFORMANCE DATA

Single Phase – 60Hz - 208-230 – NEMA Design L - Max. Ambient: 40° C

HP	Speed	Frame	NEMA Code	Efficiency (%)			Power Factor (%)			Torque (ft-lb)		
				100%	75%	50%	100%	75%	50%	FLT	BDT	LRT
5	1740	184T	H	84.0	83.5	82.8	97.0	93.1	88.6	15.0	210	290
Amps (230V)		DE Bearing	ODE Bearing	Insulation Class	Enclosure Type	Service Factor	Weight (lbs)					
FLA	LRA											
24	143	6206ZZ	6205ZZ	F	ODP	1.15	95					



North American Electric, Inc. 350 Vaiden Drive, Hernando, MS 38632

Toll Free: 1-800-884-0405 Phone: 662-429-8049 Fax: 662-429-8546

www.naemotors.com