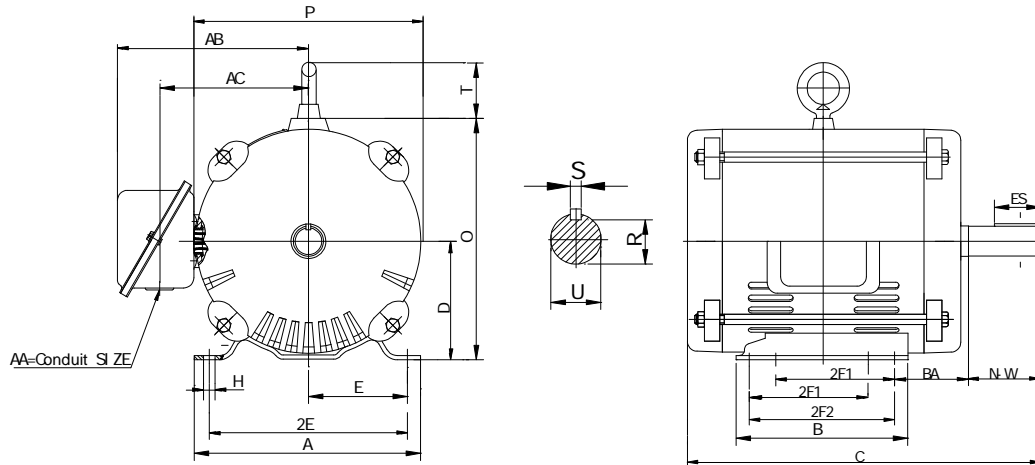


D213T3M6A

General Purpose, Three Phase, Open Dripproof

High starting Torque – Dual Drilled feet -- Rolled Steel --AC Motor



DIMENSIONS – INCHES

| | | | | | | | | | | |
|------|-------|------|------|-------|------|------|-----|-----|------|-------|
| A | B | C | D | E | 2F1 | 2F2 | G | H | AC | O |
| 10.5 | 8.7 | 16.9 | 5.25 | 4.25 | 5.5 | 7.0 | NA | .41 | 6.5 | 10.7 |
| P | R | S | T | U | ES | AA | AB | BA | N-W | Mount |
| 10.3 | 1.201 | .312 | 1.97 | 1.375 | 2.41 | 1.38 | 8.6 | 3.5 | 3.38 | F1 |

PERFORMANCE DATA

Three Phase – 60Hz - 208-230/460V – NEMA Design B - Max. Ambient: 40° C

| HP | Speed | Frame | NEMA Code | Efficiency (%) | | | Power Factor | | | Torque (ft-lb) | | |
|--------------|-------|------------|-------------|------------------|----------------|----------------|--------------|------|------|----------------|-----|-----|
| | | | | 100% | 75% | 50% | 100% | 75% | 50% | FLT | BDT | LRT |
| 3 | 1175 | 213T | K | 86.5 | 86.9 | 85.5 | 85.0 | 80.9 | 69.8 | 13.5 | 240 | 180 |
| Amps (460V) | | DE Bearing | ODE Bearing | Insulation Class | Enclosure Type | Service Factor | Weight (lbs) | | | | | |
| FLA | LRA | | | | | | | | | | | |
| 4.9 | 32.0 | 6307ZZ | 6206ZZ | F | ODP | 1.15 | 103 | | | | | |

