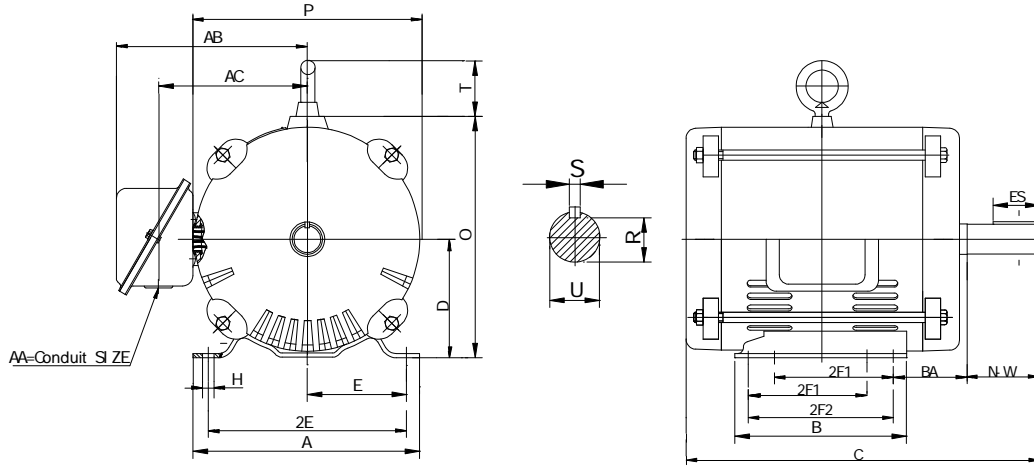


D215T15M2A

General Purpose, Three Phase, Open Dripproof

High starting Torque – Dual Drilled feet -- Rolled Steel --AC Motor



DIMENSIONS – INCHES

A	B	C	D	E	2F1	2F2	G	H	AC	O
10.5	8.7	16.9	5.25	4.25	5.5	7.0	NA	.41	6.5	10.7
P	R	S	T	U	ES	AA	AB	BA	N-W	Mount
10.3	1.201	.312	1.97	1.375	2.41	1.38	8.6	3.5	3.38	F1

PERFORMANCE DATA

Three Phase – 60Hz - 208-230/460V – NEMA Design B - Max. Ambient: 40° C

HP	Speed	Frame	NEMA Code	Efficiency (%)			Power Factor			Torque (ft-lb)		
				100%	75%	50%	100%	75%	50%	FLT	BDT	LRT
15	3535	215T	G	89.5	90.6	89.0	82.0	82.5	80.8	22.5	200	140
Amps (460V)		DE Bearing	ODE Bearing	Insulation Class	Enclosure Type	Service Factor	Weight (lbs)					
FLA	LRA											
18.1	116	6307ZZ	6206ZZ	F	ODP	1.15	126					

