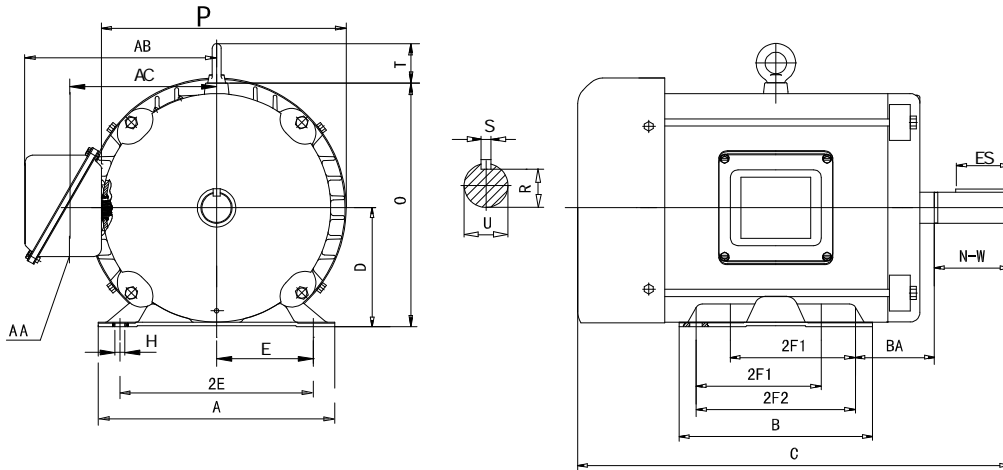


## F145T1.5M4A

### General Purpose, Three Phase, Rolled Steel Frame, AC Motor

Energy Efficient – TEFC – Inverter Rated (10:1 Variable -5:1 Constant Torque) -- AC Motor



#### DIMENSIONS – INCHES

|          |          |          |          |          |            |            |           |           |            |              |
|----------|----------|----------|----------|----------|------------|------------|-----------|-----------|------------|--------------|
| <b>A</b> | <b>B</b> | <b>C</b> | <b>D</b> | <b>E</b> | <b>2F1</b> | <b>2F2</b> | <b>G</b>  | <b>H</b>  | <b>AC</b>  | <b>O</b>     |
| 7.0      | 6.0      | 13.4     | 3.5      | 2.75     | 4.0        | 5.0        | NA        | .34       | 4.9        | 7.09         |
| <b>P</b> | <b>R</b> | <b>S</b> | <b>T</b> | <b>U</b> | <b>ES</b>  | <b>AA</b>  | <b>AB</b> | <b>BA</b> | <b>N-W</b> | <b>Mount</b> |
| 8.0      | .771     | .188     | 1.57     | .875     | 1.41       | 1.10       | 6.5       | 2.25      | 2.25       | F1           |

#### PERFORMANCE DATA

Three Phase – 60Hz - 208-230/460V – NEMA Design B - Max. Ambient: 40° C

| HP           | Speed | Frame      | NEMA Code   | Efficiency (%)   |                |                | Power Factor |      |      | Torque (ft-lb) |     |     |
|--------------|-------|------------|-------------|------------------|----------------|----------------|--------------|------|------|----------------|-----|-----|
|              |       |            |             | 100%             | 75%            | 50%            | 100%         | 75%  | 50%  | FLT            | BDT | LRT |
| 1.5          | 1745  | 145T       | L           | 84.0             | 83.6           | 82.4           | 71.0         | 65.2 | 54.6 | 4.5            | 280 | 250 |
| Amps ( 460V) |       | DE Bearing | ODE Bearing | Insulation Class | Enclosure Type | Service Factor | Weight (lbs) |      |      |                |     |     |
| FLA          | LRA   |            |             |                  |                |                |              |      |      |                |     |     |
| 2.5          | 19.7  | 6205ZZ     | 6203ZZ      | F                | TEFC           | 1.15           | 52           |      |      |                |     |     |



North American Electric, Inc. 350 Vaiden Drive, Hernando, MS 38632

Toll Free: 1-800-884-0405 Phone: 662-429-8049 Fax: 662-429-8546

[www.naemotors.com](http://www.naemotors.com)