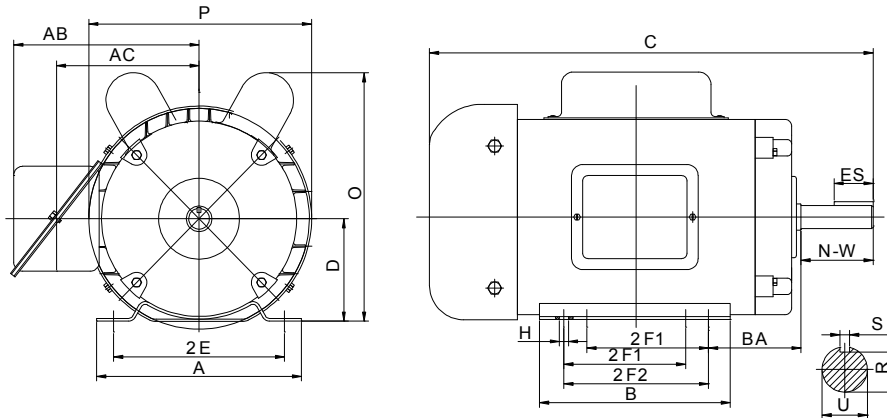


F145T2S4C-MO

Farm Duty Motor, Single Phase, General Purpose, TEFC

High Starting Torque – Manual Overload – TEFC – Rolled Steel Frame – AC Motor



DIMENSIONS – INCHES

A	B	C	D	E	2F1	2F2	G	H	AC	O
6.7	5.9	14.4	3.5	2.75	4.0	5.0	NA	.34	4.9	8.7
P	R	S	T	U	ES	AA	AB	BA	N-W	Mount
6.9	.771	.188	NA	.875	1.41	.80	6.5	2.25	2.25	F1

PERFORMANCE DATA

Single Phase – 60Hz - 208-230V – NEMA Design L - Max. Ambient: 40° C

HP	Speed	Frame	NEMA Code	Efficiency (%)			Power Factor			Torque (ft-lb)		
				100%	75%	50%	100%	75%	50%	FLT	BDT	LRT
2	1745	145T	L	82.0	84.2	83.1	96.0	86.6	82.7	6.0	210	290
Amps (230V)		DE Bearing	ODE Bearing	Insulation Class	Enclosure Type	Service Factor	Weight (lbs)					
FLA	LRA											
8.3	63	6205ZZ	6203ZZ	F	TEFC	1.15	47					



North American Electric, Inc. 350 Vaiden Drive, Hernando, MS 38632

Toll Free: 1-800-884-0405 Phone: 662-429-8049 Fax: 662-429-8546

www.naemotors.com