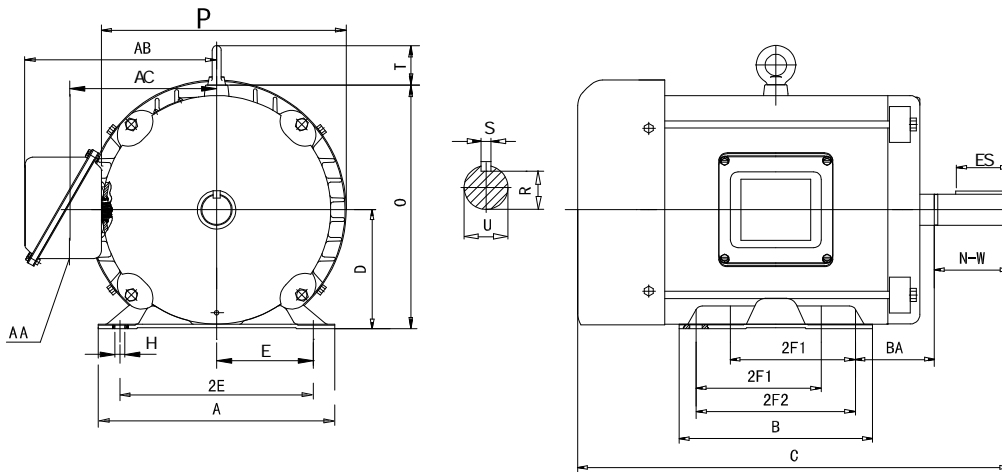


## F145T2M2A

### General Purpose, Three Phase, Rolled Steel Frame, AC Motor

Energy Efficient – TEFC – Inverter Rated (10:1 Variable -5:1 Constant Torque) -- AC Motor



#### DIMENSIONS – INCHES

<b>A</b>	<b>B</b>	<b>C</b>	<b>D</b>	<b>E</b>	<b>2F1</b>	<b>2F2</b>	<b>G</b>	<b>H</b>	<b>AC</b>	<b>O</b>
7.0	6.0	13.4	3.5	2.75	4.0	5.0	NA	.34	4.9	7.09
<b>P</b>	<b>R</b>	<b>S</b>	<b>T</b>	<b>U</b>	<b>ES</b>	<b>AA</b>	<b>AB</b>	<b>BA</b>	<b>N-W</b>	<b>Mount</b>
8.0	.771	.188	1.57	.875	1.41	1.10	6.5	2.25	2.25	F1

#### PERFORMANCE DATA

Three Phase – 60Hz - 208-230/460V – NEMA Design B - Max. Ambient: 40° C

HP	Speed	Frame	NEMA Code	Efficiency (%)			Power Factor			Torque (ft-lb)		
				100%	75%	50%	100%	75%	50%	FLT	BDT	LRT
2	3490	145T	J	84.0	84	83.7	82.0	76.4	64.2	3.0	210	240
Amps ( 460V)		DE Bearing	ODE Bearing	Insulation Class	Enclosure Type	Service Factor	Weight (lbs)					
FLA	LRA											
2.6	20.0	6205ZZ	6203ZZ	F	TEFC	1.15	45					



North American Electric, Inc. 350 Vaiden Drive, Hernando, MS 38632

Toll Free: 1-800-884-0405 Phone: 662-429-8049 Fax: 662-429-8546

[www.naemotors.com](http://www.naemotors.com)