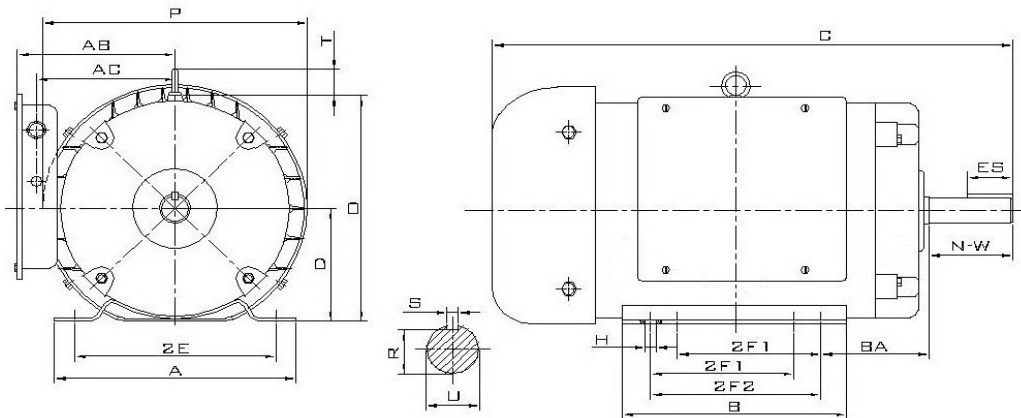


F182T3S4C-MO

Farm Duty Motor, Single Phase, General Purpose, TEFC

High Starting Torque – Manual Overload – TEFC – Rolled Steel Frame – AC Motor



DIMENSIONS – INCHES

A	B	C	D	E	2F1	2F2	G	H	AC	O
8.5	6.5	16.3	4.5	3.75	4.5	5.5	NA	.41	5.43	9.25
P	R	S	T	U	ES	AA	AB	BA	N-W	Mount
9.5	.986	.25	2	1.125	1.78	1.10	6.7	2.75	2.75	F1

PERFORMANCE DATA

Single Phase – 60Hz - 208-230/460V – NEMA Design L - Max. Ambient: 40° C

HP	Speed	Frame	NEMA Code	Efficiency (%)			Power Factor			Torque (ft-lb)		
				100%	75%	50%	100%	75%	50%	FLT	BDT	LRT
3	1735	182T	G	80.0	80.9	79.4	96	87.6	78.7	9.0	196	260
Amps (230V)		DE Bearing	ODE Bearing	Insulation Class	Enclosure Type	Service Factor	Weight (lbs)					
FLA	LRA											
12	83	6205ZZ	6203ZZ	F	TEFC	1.15	92					

