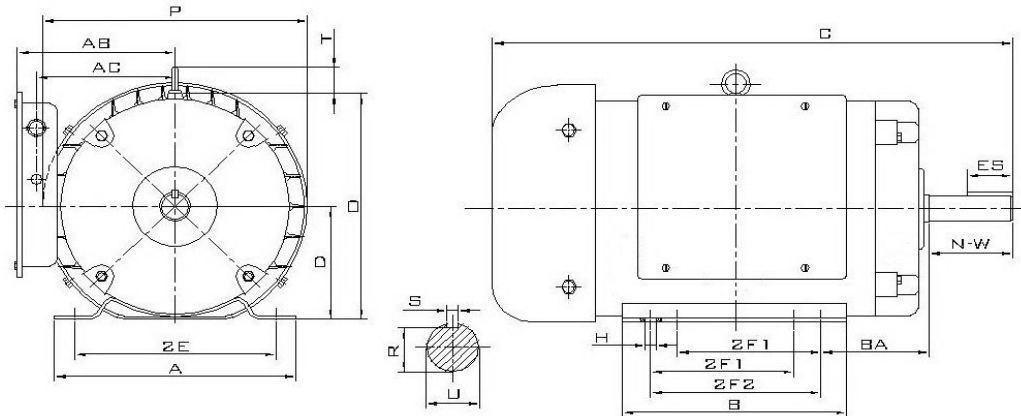


F184T5S4C-MO

Farm Duty Motor, Single Phase, General Purpose, TEFC

High Starting Torque – Manual Overload – TEFC – Rolled Steel Frame – AC Motor



DIMENSIONS – INCHES

| | | | | | | | | | | |
|----------|----------|----------|----------|----------|------------|------------|-----------|-----------|------------|--------------|
| A | B | C | D | E | 2F1 | 2F2 | G | H | AC | O |
| 8.5 | 6.5 | 17.7 | 4.5 | 3.75 | 4.5 | 5.5 | NA | .41 | 5.43 | 9.25 |
| P | R | S | T | U | ES | AA | AB | BA | N-W | Mount |
| 9.5 | .986 | .25 | 2 | 1.125 | 1.78 | 1.375 | 6.7 | 2.75 | 2.75 | F1 |

PERFORMANCE DATA

Single Phase – 60Hz - 208-230/460V – NEMA Design L - Max. Ambient: 40° C

| HP | Speed | Frame | NEMA Code | Efficiency (%) | | | Power Factor (%) | | | Torque (ft-lb) | | |
|--------------|-------|------------|-------------|------------------|----------------|----------------|------------------|------|------|----------------|-----|-----|
| | | | | 100% | 75% | 50% | 100% | 75% | 50% | FLT | BDT | LRT |
| 5 | 1735 | 184T | H | 81.0 | 82.5 | 82.1 | 95.0 | 91.1 | 79.6 | 15.0 | 200 | 250 |
| Amps (230V) | | DE Bearing | ODE Bearing | Insulation Class | Enclosure Type | Service Factor | Weight (lbs) | | | | | |
| FLA | LRA | | | | | | | | | | | |
| 20.0 | 137 | 6206ZZ | 6205ZZ | F | TEFC | 1.15 | 110 | | | | | |

