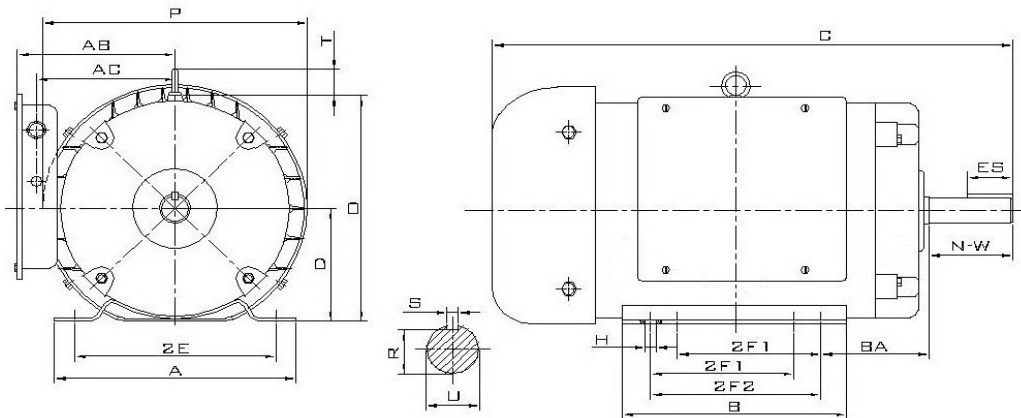


F213T7.5S4C

Farm Duty Motor, Single Phase, General Purpose, TEFC

High Starting Torque – TEFC – Rolled Steel Frame – AC Motor



DIMENSIONS – INCHES

A	B	C	D	E	2F1	2F2	G	H	AC	O
10.5	8.7	20.3	5.25	4.25	5.5	7.0	NA	.41	6.5	10.8
P	R	S	T	U	ES	AA	AB	BA	N-W	Mount
11.0	1.201	.312	2.0	1.375	2.41	1.38	7.5	3.50	3.38	F1

PERFORMANCE DATA

Single Phase – 60Hz - 208-230/460V – NEMA Design L - Max. Ambient: 40° C

HP	Speed	Frame	NEMA Code	Efficiency (%)			Power Factor			Torque (ft-lb)		
				100%	75%	50%	100%	75%	50%	FLT	BDT	LRT
7.5	1750	213T	G	82.0	82.8	82.3	96.0	96.7	95.8	22.4	195	250
Amps (230V)		DE Bearing	ODE Bearing	Insulation Class	Enclosure Type	Service Factor	Weight (lbs)					
FLA	LRA											
31.0	193	6307ZZ	6206ZZ	F	TEFC	1.15	153					

