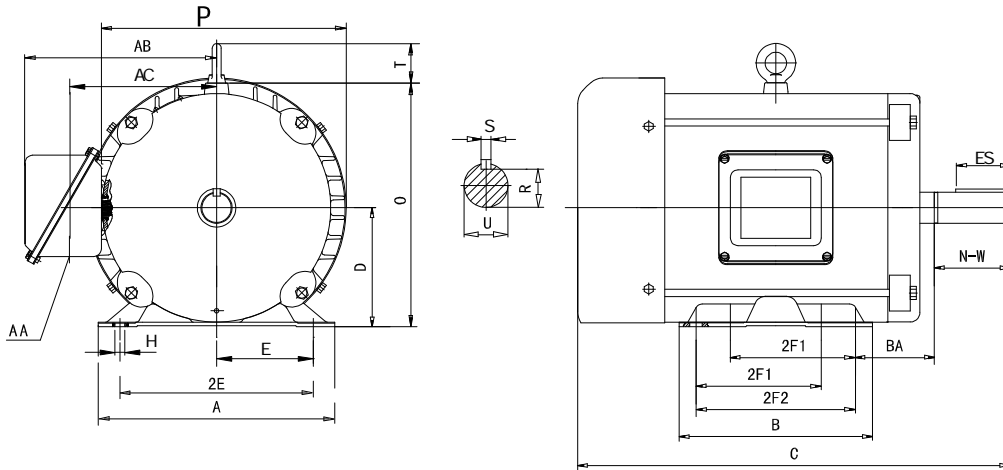


## F215T10M4A

### General Purpose, Three Phase, Rolled Steel Frame, AC Motor

Energy Efficient – TEFC – Inverter Rated (10:1 Variable -5:1 Constant Torque) -- AC Motor



#### DIMENSIONS – INCHES

A	B	C	D	E	2F1	2F2	G	H	AC	O
10.5	8.7	19.3	5.25	4.25	5.5	7.0	NA	.41	6.5	10.5
P	R	S	T	U	ES	AA	AB	BA	N-W	Mount
11.7	1.201	.312	1.97	1.375	2.41	1.38	8.6	3.5	3.38	F1

#### PERFORMANCE DATA

Three Phase – 60Hz - 208-230/460V – NEMA Design B - Max. Ambient: 40° C

HP	Speed	Frame	NEMA Code	Efficiency (%)			Power Factor			Torque (ft-lb)		
				100%	75%	50%	100%	75%	50%	FLT	BDT	LRT
10	1750	215T	H	89.5	90.2	90.1	80.0	79.0	73.5	30.0	200	165
Amps ( 460V)		DE Bearing	ODE Bearing	Insulation Class	Enclosure Type	Service Factor	Weight (lbs)					
FLA	LRA											
12.5	80.5	6307ZZ	6206ZZ	F	TEFC	1.15	146					



North American Electric, Inc. 350 Vaiden Drive, Hernando, MS 38632

Toll Free: 1-800-884-0405 Phone: 662-429-8049 Fax: 662-429-8546

[www.naemotors.com](http://www.naemotors.com)