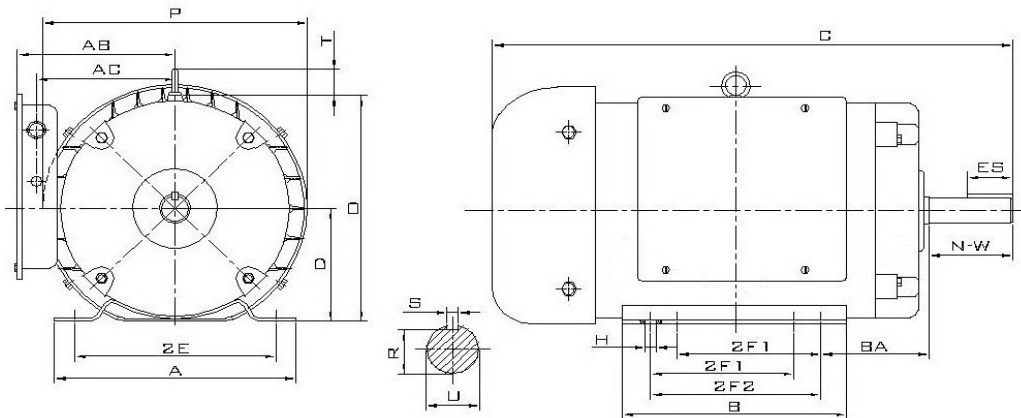


F215T10S4C

Farm Duty Motor, Single Phase, General Purpose, TEFC

High Starting Torque -- TEFC -- Rolled Steel Frame -- AC Motor



DIMENSIONS – INCHES

A	B	C	D	E	2F1	2F2	AC	H	AC	O
10.44	8.67	21.7	5.25	4.25	5.5	7.0	NA	.41	6.5	10.8
P	R	S	T	U	ES	AA	AB	BA	N-W	Mount
11.0	1.201	.312	2	1.375	2.41	1.375	7.8	3.5	3.38	F1

PERFORMANCE DATA

Single Phase – 60Hz - 208-230/460V – NEMA Design L - Max. Ambient: 40° C

HP	Speed	Frame	NEMA Code	Efficiency (%)			Power Factor (%)			Torque (ft-lb)		
				100%	75%	50%	100%	75%	50%	FLT	BDT	LRT
10	1750	215T	L	84.0	85.2	84.7	96.0	96.4	95.7	29.9	195	250
Amps (230V)		DE Bearing	ODE Bearing	Insulation Class	Enclosure Type	Service Factor	Weight (lbs)					
FLA	LRA											
40.0	230	6307ZZ	6205ZZ	F	TEFC	1.0	176					

