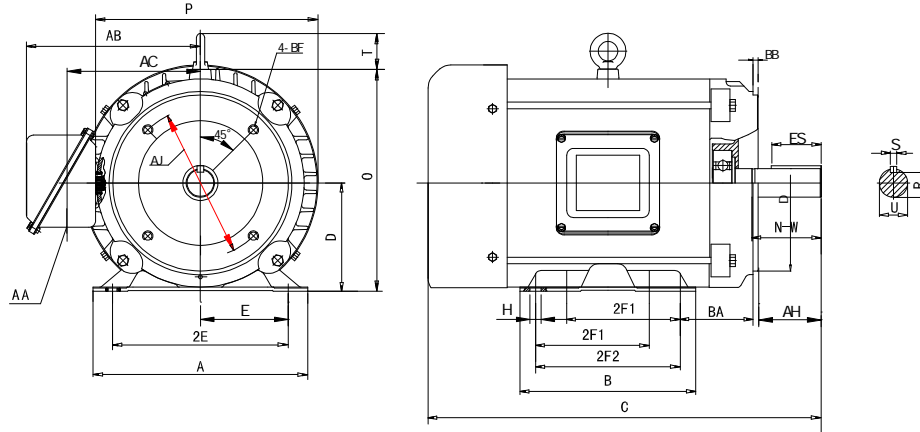


## F56C1/3M4A

### C-Face General Purpose Hostile Duty Motor

Rolled Steel Construction – Three Phase – TEFC - AC Motor



#### DIMENSIONS – INCHES

MOUNTING					A	B	C	D	G	AC	P	O	BC	AH	AB	AA
E	2F1	2F2	H	BA												
2.44	3	NA	0.34	2.75	6.3	3.94	12.6	3.5	NA	4.9	6.9	7.0	.19	2.16	6.5	1.1
KEY			KEYSET R		FLANGE					SHAFT EXTENSION						
WIDTH		LENGTH		0.517	AK	AJ	BF	BB	BD	N-W	U					
.188		1.41			4.5	5.875	3/8-16	0.16	6.5	1.88	0.625					

#### PERFORMANCE DATA

Three Phase – 60Hz - 208-230/460V – NEMA Design B - Max. Ambient: 40° C

HP	Speed	Frame	NEMA Code	Efficiency (%)			Power Factor			Torque (ft-lb)		
				100%	75%	50%	100%	75%	50%	FLT	BDT%	LRT%
1/3	1760	56C	M	57.0	56.3	54.8	57.0	56.1	53.4	.99	449	245
Amps ( 460V)		DE Bearing	ODE Bearing	Insulation Class	Enclosure Type	Service Factor	Weight (lbs)					
FLA	LRA											
.95	4.5	6203ZZ	6203ZZ	F	TEFC	1.15	25					



North American Electric, Inc. 350 Vaiden Drive, Hernando, MS 38632

Toll Free: 1-800-884-0405 Phone: 662-429-8049 Fax: 662-429-8546

[www.naemotors.com](http://www.naemotors.com)