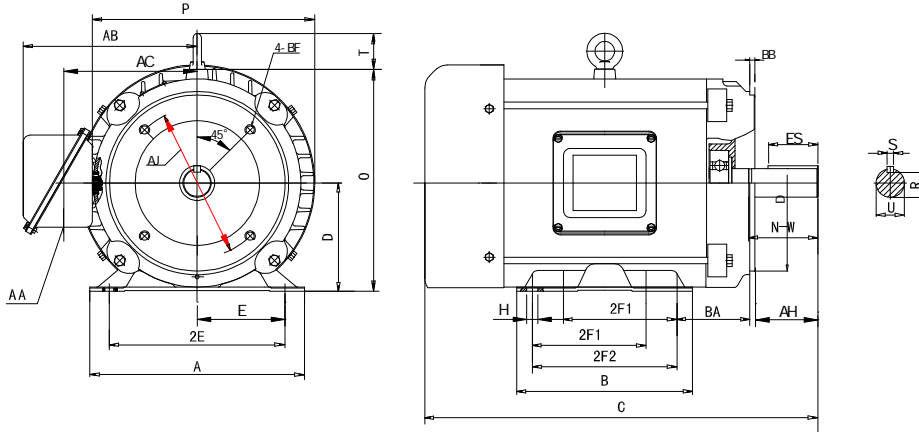


F56C1.5M2A

C-Face General Purpose Hostile Duty Motor

Rolled Steel Construction – Three Phase – TEFC - AC Motor



DIMENSIONS – INCHES

| MOUNTING | | | | | A | B | C | D | G | AC | P | O | BC | AH | AB | AA |
|----------|--------|-----|-------------|--------|-------|--------|------|-----|--------------------|-------|-----|-----|-----|------|-----|-----|
| E | 2F1 | 2F2 | H | BA | | | | | | | | | | | | |
| 2.44 | 3 | NA | 0.34 | 2.75 | 6.3 | 3.94 | 13.9 | 3.5 | NA | 4.9 | 6.9 | 7.0 | .19 | 2.16 | 6.5 | 1.1 |
| KEY | | | KEYSET R | FLANGE | | | | | SHAFT EXTENSION | | | | | | | |
| WIDTH | LENGTH | | | AK | AJ | BF | BB | BD | N-W | U | | | | | | |
| .188 | 1.41 | | 0.517 | 4.5 | 5.875 | 3/8-16 | 0.16 | 6.5 | 1.88 | 0.625 | | | | | | |

PERFORMANCE DATA

Three Phase – 60Hz - 208-230/460V – NEMA Design B - Max. Ambient: 40° C

| HP | Speed | Frame | NEMA Code | Efficiency (%) | | | Power Factor | | | Torque (ft-lb) | | |
|--------------|-------|---------------|----------------|---------------------|-------------------|-------------------|-----------------|------|------|----------------|------|------|
| | | | | 100% | 75% | 50% | 100% | 75% | 50% | FLT | BDT% | LRT% |
| 1.5 | 3510 | 56C | K | 78.0 | 77.2 | 76.7 | 74.0 | 72.5 | 65.8 | 2.3 | 250 | 220 |
| Amps (460V) | | DE Bearing | ODE Bearing | Insulation Class | Enclosure Type | Service Factor | Weight (lbs) | | | | | |
| FLA | LRA | | | | | | | | | | | |
| 2.72 | 16.9 | 6203ZZ | 6203ZZ | F | TEFC | 1.15 | 29 | | | | | |



North American Electric, Inc. 350 Vaiden Drive, Hernando, MS 38632

Toll Free: 1-800-884-0405 Phone: 662-429-8049 Fax: 662-429-8546

www.naemotors.com