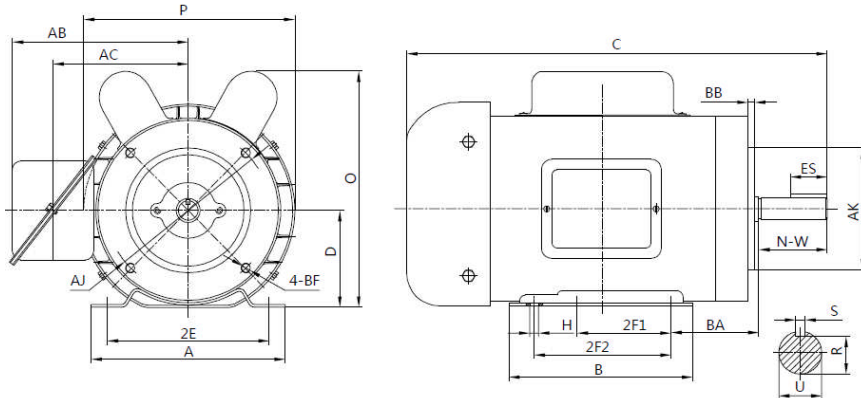


F56C1S4C

General Purpose, Single Phase, 56C/CH Frame Motor

High Torque – Dual Drilled and Removable Feet – TEFC – IP55 Protection – Rolled Steel -- AC Motor



DIMENSIONS – INCHES

| MOUNTING | | | | | A | B | C | D | G | O | P | AC | BC | AH | AB | AA |
|----------|-----|--------|-----|-------------|--------|-------|--------|-----|-----|--------------------|------|-----|-----|------|-----|-----|
| E | 2F1 | 2F2 | H | BA | | | | | | | | | | | | |
| 2.44 | 3.0 | NA | .34 | 2.75 | 6.3 | 3.94 | 13.9 | 3.5 | NA | 8.6 | 6.9 | 4.9 | .19 | 2.06 | 6.5 | .80 |
| KEY | | | | KEYSET R | FLANGE | | | | | SHAFT EXTENSION | | | | | | |
| WIDTH | | LENGTH | | | AK | AJ | BF | BB | BD | N-W | U | | | | | |
| .188 | | 1.41 | | .517 | 4.5 | 5.875 | 3/8-16 | .16 | 6.5 | 1.88 | .625 | | | | | |

PERFORMANCE DATA

Single Phase – 60Hz -115 /208-230V – NEMA Design L - Max. Ambient: 40° C

| HP | Speed | Frame | NEMA Code | Efficiency (%) | | | Power Factor | | | Torque (ft-lb) | | |
|--------------|-------|------------|-------------|------------------|----------------|----------------|--------------|------|------|----------------|-----|-----|
| | | | | 100% | 75% | 50% | 100% | 75% | 50% | FLT | BDT | LRT |
| 1 | 1750 | 56C | M | 75.0 | 75.2 | 73.8 | 92.0 | 84.6 | 79.0 | 3.0 | 230 | 280 |
| Amps (230V) | | DE Bearing | ODE Bearing | Insulation Class | Enclosure Type | Service Factor | Weight (lbs) | | | | | |
| FLA | LRA | | | | | | | | | | | |
| 4.7 | 35.0 | 6203ZZ | 6203ZZ | F | TEFC | 1.15 | 38 | | | | | |



North American Electric, Inc. 350 Vaiden Drive, Hernando, MS 38632

Toll Free: 1-800-884-0405 Phone: 662-429-8049 Fax: 662-429-8546

www.naemotors.com