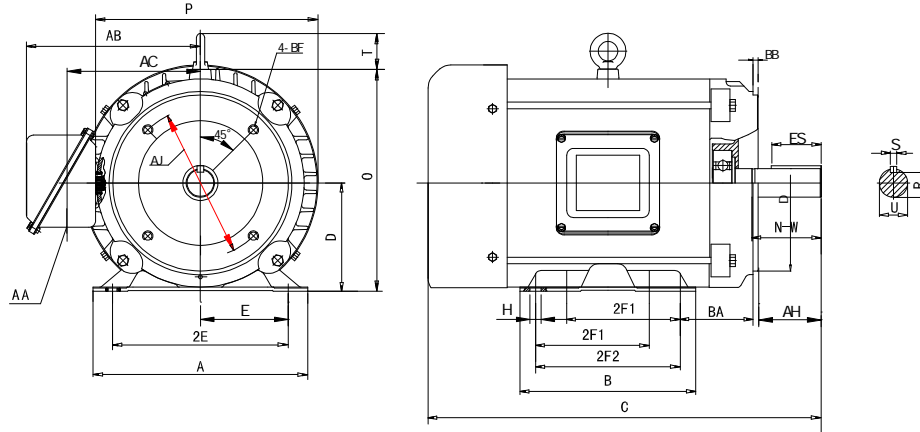


## F56C3/4M4A

### C-Face General Purpose Hostile Duty Motor

Rolled Steel Construction – Three Phase – TEFC - AC Motor



#### DIMENSIONS – INCHES

| MOUNTING |     |        |          |       | A      | B     | C      | D    | G   | AC              | P   | O     | BC  | AH   | AB  | AA  |
|----------|-----|--------|----------|-------|--------|-------|--------|------|-----|-----------------|-----|-------|-----|------|-----|-----|
| E        | 2F1 | 2F2    | H        | BA    |        |       |        |      |     |                 |     |       |     |      |     |     |
| 2.44     | 3   | NA     | 0.34     | 2.75  | 6.3    | 3.94  | 12.6   | 3.5  | NA  | 4.9             | 6.9 | 7.0   | .19 | 2.16 | 6.5 | 1.1 |
| KEY      |     |        | KEYSET R |       | FLANGE |       |        |      |     | SHAFT EXTENSION |     |       |     |      |     |     |
| WIDTH    |     | LENGTH |          | 0.517 | AK     | AJ    | BF     | BB   | BD  | N-W             |     | U     |     |      |     |     |
| .188     |     | 1.41   |          |       | 4.5    | 5.875 | 3/8-16 | 0.16 | 6.5 | 1.88            |     | 0.625 |     |      |     |     |

#### PERFORMANCE DATA

Three Phase – 60Hz - 208-230/460V – NEMA Design B - Max. Ambient: 40° C

| HP           | Speed | Frame      | NEMA Code   | Efficiency (%)   |                |                | Power Factor |      |      | Torque (ft-lb) |      |      |
|--------------|-------|------------|-------------|------------------|----------------|----------------|--------------|------|------|----------------|------|------|
|              |       |            |             | 100%             | 75%            | 50%            | 100%         | 75%  | 50%  | FLT            | BDT% | LRT% |
| 3/4          | 1760  | 56C        | R           | 68.0             | 67.5           | 66.7           | 69.0         | 68.4 | 66.8 | 2.23           | 284  | 340  |
| Amps ( 460V) |       | DE Bearing | ODE Bearing | Insulation Class | Enclosure Type | Service Factor | Weight (lbs) |      |      |                |      |      |
| FLA          | LRA   |            |             |                  |                |                |              |      |      |                |      |      |
| 1.76         | 10.9  | 6203ZZ     | 6203ZZ      | F                | TEFC           | 1.15           | 29           |      |      |                |      |      |



North American Electric, Inc. 350 Vaiden Drive, Hernando, MS 38632

Toll Free: 1-800-884-0405 Phone: 662-429-8049 Fax: 662-429-8546

[www.naemotors.com](http://www.naemotors.com)