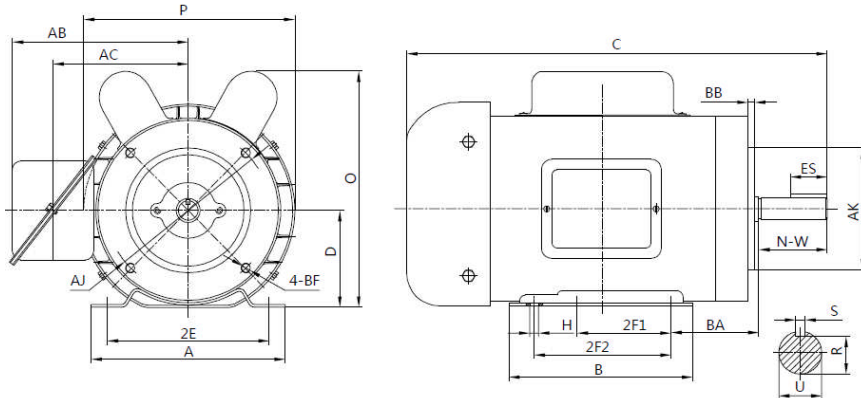


F56C3/4S4C-MO

General Purpose, Single Phase, 56C/CH Frame Motor

High Torque – Dual Drilled and Removable Feet – TEFC – IP55 Protection – Rolled Steel -- AC Motor



DIMENSIONS – INCHES

MOUNTING					A	B	C	D	G	J	P	L	BC	AH	AB	AA
E	2F1	2F2	H	BA												
2.44	3.0	NA	.34	2.75	6.3	3.94	12.6	3.5	NA	NA	6.9	NA	.19	2.06	6.5	.80
KEY					KEYSET R	FLANGE					SHAFT EXTENSION					
WIDTH		LENGTH				AK	AJ	BF	BB	BD	N-W	U				
.188		1.41			.517	4.5	5.875	3/8-16	.16	6.5	1.88	.625				

PERFORMANCE DATA

Single Phase – 60Hz -115 /208-230V – NEMA Design B - Max. Ambient: 40° C

HP	Speed	Frame	NEMA Code	Efficiency (%)			Power Factor			Torque (ft-lb)		
				100%	75%	50%	100%	75%	50%	FLT	BDT	LRT
3/4	1740	56C	M	69.0	69.6	68.4	88.0	86.4	85.8	2.26	260	320
Amps (230V)		DE Bearing	ODE Bearing	Insulation Class	Enclosure Type	Service Factor	Weight (lbs)					
FLA	LRA											
4.2	31.0	6203ZZ	6203ZZ	F	TEFC	1.15	29					



North American Electric, Inc. 350 Vaiden Drive, Hernando, MS 38632

Toll Free: 1-800-884-0405 Phone: 662-429-8049 Fax: 662-429-8546

www.naemotors.com