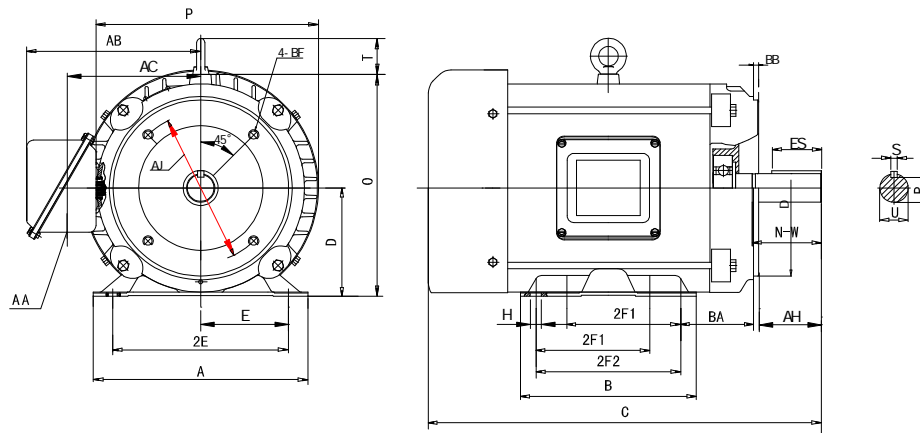


F56CH3M2A

C-Face General Purpose Hostile Duty Motor

Rolled Steel Construction – Three Phase – TEFC - AC Motor



DIMENSIONS – INCHES

MOUNTING					A	B	C	D	G	AC	P	O	BC	AH	AB	AA
E	2F1	2F2	H	BA												
2.44	3	5	0.34	2.75	6.5	6.5	12.6	3.5	NA	4.9	6.9	7.0	.19	2.16	6.5	1.1
KEY			KEYSET R	FLANGE					SHAFT EXTENSION							
WIDTH	LENGTH			AK	AJ	BF	BB	BD	N-W	U						
.188	1.41		0.517	4.5	5.875	3/8-16	0.16	6.5	1.88	0.625						

PERFORMANCE DATA

Three Phase – 60Hz - 208-230/460V – NEMA Design B - Max. Ambient: 40° C

HP	Speed	Frame	NEMA Code	Efficiency (%)			Power Factor			Torque (ft-lb)		
				100%	75%	50%	100%	75%	50%	FLT	BDT%	LRT%
3	3500	56CH	K	81.0	80.0	77.5	80.0	80.2	74.5	4.5	230	280
Amps (460V)		DE Bearing	ODE Bearing	Insulation Class	Enclosure Type	Service Factor	Weight (lbs)					
FLA	LRA											
4.36	32.0	6203ZZ	6203ZZ	F	TEFC	1.15	42					