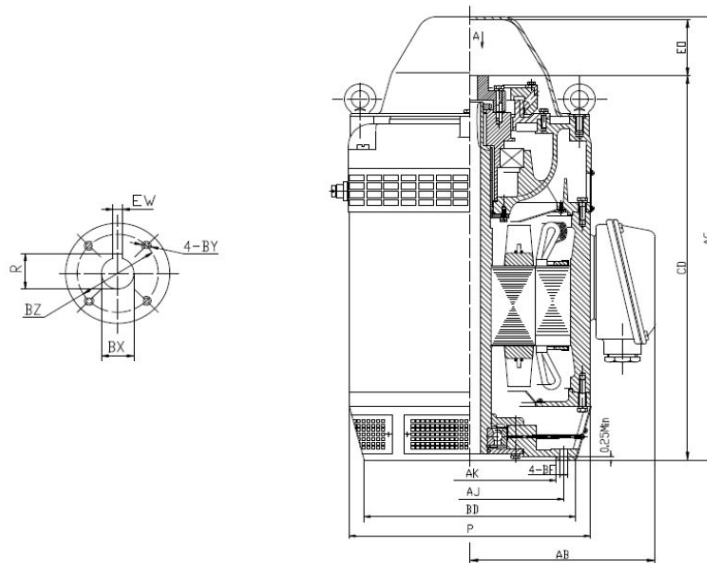


NAE-VHS-10-4

NEMA Standard Vertical Hollow Shaft Motor

Energy Efficient – Three Phase – ODP – WP1 -- AC Motor – 10 to 1 Variable Torque



DIMENSIONS – INCHES

BD	AJ	AK	BF	BZ	EW	R	BY	CD	EO >	AC
10.0	9.125	8.25	0.44	1.38	0.25	1.13	10-32	17.56	3.74	8.58
AA	AF	P	AB	AG	Upper Bearing Oil Capacity		Down Thrust	BX		
1”NPT	3.94	13.6	10.59	21.29	NA		2400 lbs	1.0		

NOTE: Optional BX Coupling Dimensions Available.

PERFORMANCE DATA

Three Phase – 60Hz - 230/460V – NEMA Design B - Max. Ambient: 40° C

HP	Speed	Frame	NEMA Code	Efficiency (%)			Power Factor %			Torque (ft-lb)		
				100%	75%	50%	100%	75%	50%	FLT	BDT%	LRT%
10	1750	215TP	C	85.7	86.4	86.3	85.0	84.0	77.0	40.92	245	195
Amps (460V)		Angular Contact Bearing	Radial Ball Bearing	Insulation Class	Enclosure Type	Service Factor	Weight (lbs)					
FLA	LRA											
12.82	82.0	7310B	6210	F	ODP	1.15	275					

North American Electric, Inc. 350 Vaiden Drive, Hernando, MS 38632

Toll Free: 1-800-884-0405 Phone: 662-429-8049 Fax: 662-429-8546

www.naemotors.com