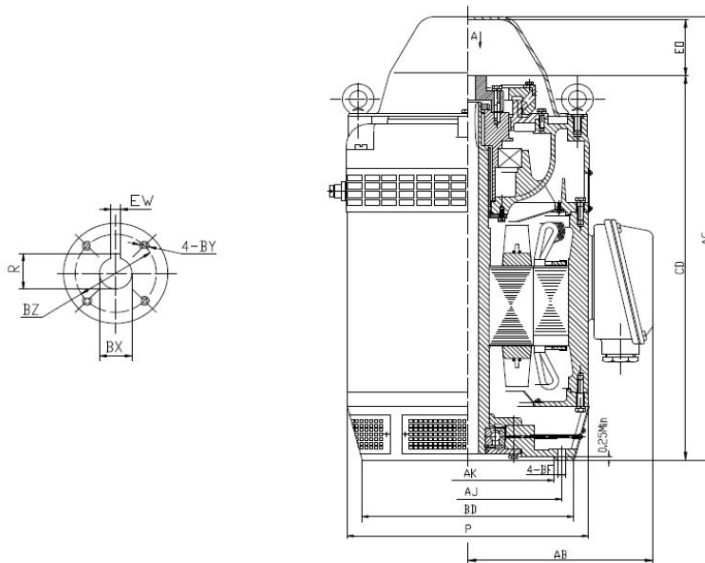


NAE-VHS-150-4

NEMA Standard Vertical Hollow Shaft Motor

Energy Efficient – Three Phase – ODP – WP1 -- AC Motor -- Suitable for Part Wind Start – 10 to 1 Variable Torque



DIMENSIONS – INCHES

| | | | | | | | | | | |
|------|-------|------|------|------|-------------------------------|-------|----------------|-------|---------|-------|
| BD | AJ | AK | BF | BZ | EW | R | BY | CD | EO > | AC |
| 16.5 | 14.75 | 13.5 | 0.69 | 2.50 | 0.375 | 1.854 | 1/4-20 | 42.66 | 5.00 | 16.18 |
| AA | AF | P | AB | AG | Upper Bearing Oil Capacity | | Down Thrust | BX | | |
| 3.0 | 7.56 | 23.3 | 20.7 | 47.7 | 8.6 | | 8000 lbs | 1.69 | | |

NOTE: Optional BX Coupling Dimensions Available.

PERFORMANCE DATA

Three Phase – 60Hz - 460V – NEMA Design B - Max. Ambient: 40° C

| HP | Speed | Frame | NEMA Code | Efficiency (%) | | | Power Factor % | | | Torque (ft-lb) | | |
|-------------|-------|-------------------------------|---------------------------|---------------------|-------------------|-------------------|-----------------|------|------|----------------|------|------|
| | | | | 100% | 75% | 50% | 100% | 75% | 50% | FLT | BDT% | LRT% |
| 150 | 1780 | 444TP | B | 93.3 | 92.9 | 92.5 | 88.0 | 91.0 | 88.0 | 591.08 | 216 | 176 |
| Amps (460V) | | Angular Contact Bearing | Radial Ball Bearing | Insulation Class | Enclosure Type | Service Factor | Weight (lbs) | | | | | |
| FLA | LRA | | | | | | | | | | | |
| 166.26 | 898.9 | 7232B | 6318 | F | ODP | 1.15 | 2004 | | | | | |

North American Electric, Inc. 350 Vaiden Drive, Hernando, MS 38632

Toll Free: 1-800-884-0405 Phone: 662-429-8049 Fax: 662-429-8546

www.naemotors.com