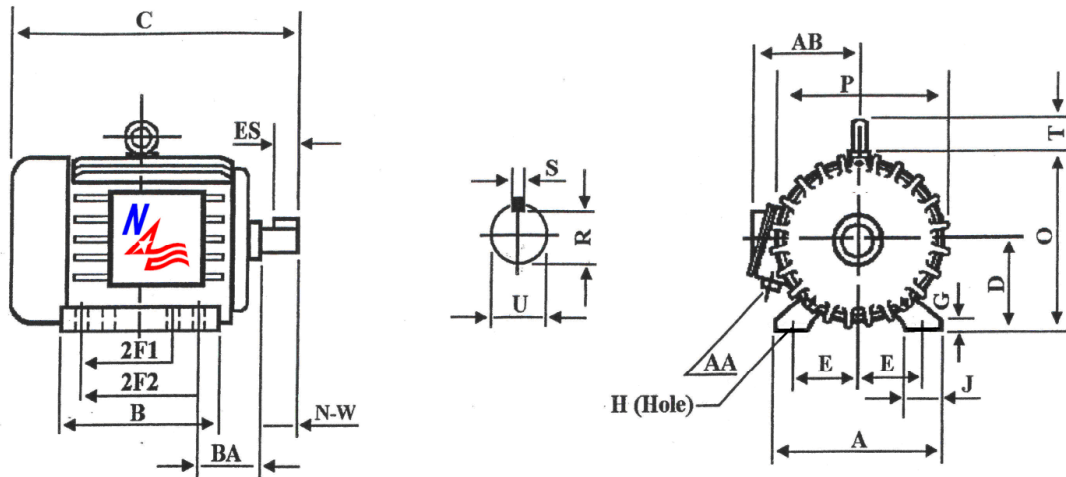


## OWP12-3

### Special Purpose Oil Well Pump Motor

NEMA DESIGN D - THREE PHASE - HIGH TORQUE/HIGH SLIP (5-8%)



### DIMENSIONS – INCHES

A	B	C	D	E	2F1	2F2	G	H	J	O
11.0	7.9	18.9	5.25	4.25	5.5	NA	.80	0.41	2.35	10.5
P	R	S	T	U	ES	AA	AB	BA	N-W	Mount
10.2	1.201	0.312	1.9	1.375	2.41	1	8.3	3.5	3.38	2F

### PERFORMANCE DATA

Three Phase - 60Hz - 230/460/796V – NEMA Design D - Max. Ambient: 40° C

HP	Speed	Frame	NEMA Code	Efficiency (%)			Power Factor %			Torque (ft-lb)		
				100%	75%	50%	100%	75%	50%	FLT	BDT%	LRT%
3	1130	213T	K	79.0	80.5	80.	74	66	51	13.95	340	330
Amps ( 460V)		DE Bearing	ODE Bearing	Insulation Class	Enclosure Type	Service Factor	Weight (lbs)					
FLA	LRA											
5.0	32	6308-ZZ	6308-ZZ	F	TEFC	1.15	125					