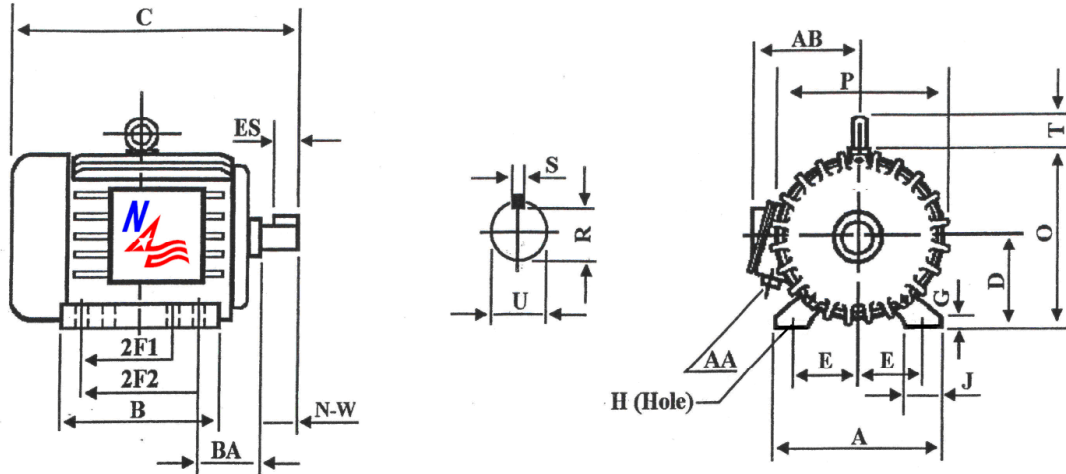


OWP12-40

Special Purpose Oil Well Pump Motor

NEMA DESIGN D - THREE PHASE - HIGH TORQUE/HIGH SLIP (5-8%)



DIMENSIONS – INCHES

A	B	C	D	E	2F1	2F2	G	H	J	O
17.1	15.4	33.5	9	7	11.25	NA	1.1	0.66	2.953	18.1
P	R	S	T	U	ES	AA	AB	BA	N-W	Mount
17.6	2.021	0.625	2.6	2.375	4.28	3	14.6	5.88	5.88	F2

PERFORMANCE DATA

Three Phase – 60Hz - 230/460/796V – NEMA Design D - Max. Ambient: 40° C

HP	Speed	Frame	NEMA Code	Efficiency (%)			Power Factor			Torque (ft-lb)		
				100%	75%	50%	100%	75%	50%	FLT	BDT%	LRT%
40	1135	365T	G	87.5	87.5	87.0	88.0	77.0	62.0	185.2	290	275
Amps (460V)		DE Bearing	ODE Bearing	Insulation Class	Enclosure Type	Service Factor	Weight (lbs)					
FLA	LRA											
49.0	290	6313	6313	F	TEFC	1.15	706					



North American Electric, Inc. 350 Vaiden Drive, Hernando, MS 38632

Toll Free: 1-800-884-0405 Phone: 662-429-8049 Fax: 662-429-8546

www.naemotors.com