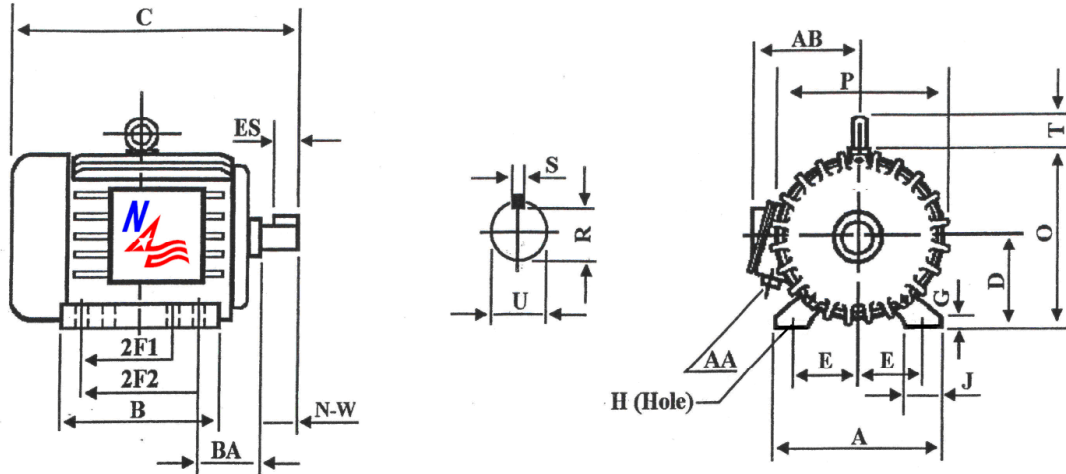


## OWP12-5

### Special Purpose Oil Well Pump Motor

NEMA DESIGN D - THREE PHASE - HIGH TORQUE/HIGH SLIP (5-8%)



### DIMENSIONS – INCHES

A	B	C	D	E	2F1	2F2	G	H	J	O
11	9.4	20.4	5.25	4.25	5.5	7	0.8	0.41	2.35	10.5
P	R	S	T	U	ES	AA	AB	BA	N-W	Mount
10.2	1.201	0.312	1.9	1.375	2.41	1	8.3	3.5	3.38	F2

### PERFORMANCE DATA

Three Phase – 60Hz - 230/460/796V – NEMA Design D - Max. Ambient: 40° C

HP	Speed	Frame	NEMA Code	Efficiency (%)			Power Factor%			Torque (ft-lb)		
				100%	75%	50%	100%	75%	50%	FLT	BDT%	LRT%
5	1030	215T	J	83.5	85.0	84.0	75.0	67.0	52.0	23.25	315	285
Amps ( 460V)		DE Bearing	ODE Bearing	Insulation Class	Enclosure Type	Service Factor	Weight (lbs)					
FLA	LRA											
7.5	46	6308-ZZ	6308-ZZ	F	TEFC	1.15	158					



North American Electric, Inc. 350 Vaiden Drive, Hernando, MS 38632

Toll Free: 1-800-884-0405 Phone: 662-429-8049 Fax: 662-429-8546

[www.naemotors.com](http://www.naemotors.com)