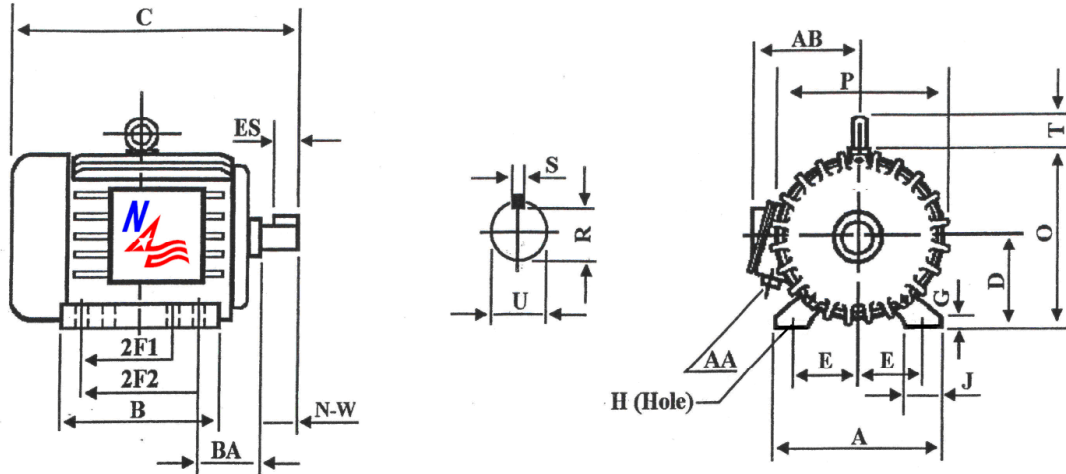


## OWP12-75

### Special Purpose Oil Well Pump Motor

NEMA DESIGN D, THREE PHASE - HIGH TORQUE/HIGH SLIP ( 5-8%)



### DIMENSIONS – INCHES

A	B	C	D	E	2F1	2F2	G	H	J	O
21.7	22.9	44.3	11	9	14.5	NA	1.30	0.81	3.15	22.1
P	R	S	T	U	ES	AA	AB	BA	N-W	Mount
21.6	2.88	0.875	3.0	3.375	6.91	3	19.5	7.5	8.5	F2

### PERFORMANCE DATA

Three Phase – 60Hz - 230/460/796V – NEMA Design D - Max. Ambient: 40° C

HP	Speed	Frame	NEMA Code	Efficiency (%)			Power Factor			Torque (ft-lb)		
				100%	75%	50%	100%	75%	50%	FLT	BDT%	LRT%
75	1140	444T	G	90.0	90.5	90.0	88.0	78.0	62.0	345.7	310	280
Amps ( 460V)		DE Bearing	ODE Bearing	Insulation Class	Enclosure Type	Service Factor	Weight (lbs)					
FLA	LRA											
89.0	542	6318	6317	F	TEFC	1.15	1170					



North American Electric, Inc. 350 Vaiden Drive, Hernando, MS 38632

Toll Free: 1-800-884-0405 Phone: 662-429-8049 Fax: 662-429-8546

[www.naemotors.com](http://www.naemotors.com)