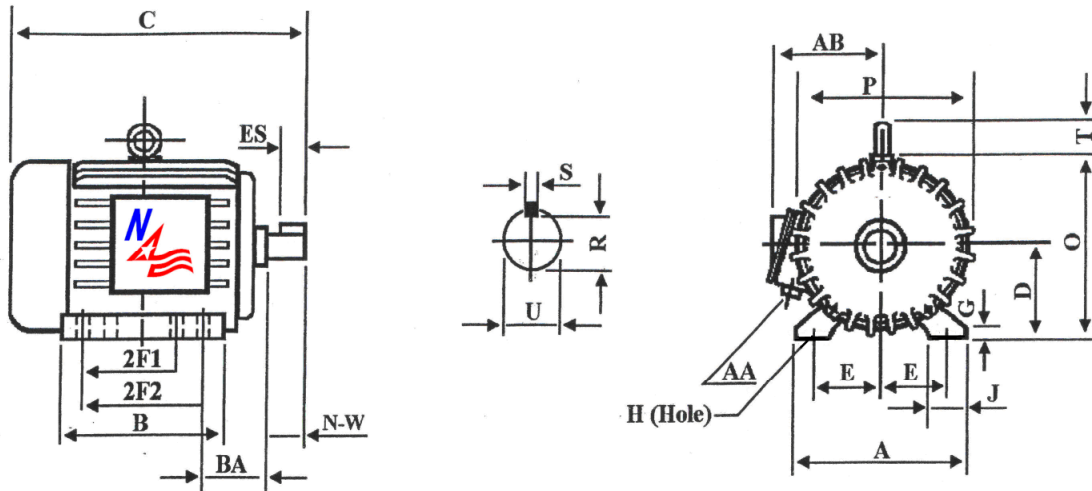


OWP1203

Special Purpose Oil Well Pump Motor

NEMA DESIGN D - THREE PHASE - HIGH TORQUE/HIGH SLIP (5-8%)



DIMENSIONS – INCHES

A	B	C	D	E	2F1	2F2	G	H	J	O
10.5	9	20.9	5.25	4.25	5.5	7	0.7	0.41	2.35	10.5
P	R	S	T	U	ES	AA	AB	BA	N-W	Mount
11.4	1.201	0.312	1.97	1.375	2.41	1	10.8	3.5	3.38	2F

PERFORMANCE DATA

Three Phase - 60Hz - 230/460/796V – NEMA Design D - Max. Ambient: 40° C

HP	Speed	Frame	NEMA Code	Efficiency (%)			Power Factor			Torque (ft-lb)		
				100%	75%	50%	100%	75%	50%	FLT	BDT	LRT
3	1125	213T	K	82.4	83.1	81.51	0.67	0.647	0.519	14.01	33.48	35.03
Amps (460V)		DE Bearing	ODE Bearing	Insulation Class	Enclosure Type	Service Factor	Weight (lbs)					
FLA	LRA											
5.0	21.1	6308-ZZ	6308-ZZ	F	TEFC	1.15	170					



North American Electric, Inc. 350 Vaiden Drive, Hernando, MS 38632

Toll Free: 1-800-884-0405 Phone: 662-429-8049 Fax: 662-429-8546

www.naemotors.com



60 Hz DATA FOR 3 PHASE AC INDUCTION MOTOR AS IT APPEARS ON THE NAMEPLATE.

OWP1203

CAT. NO: OWP1203		HP: 3		RATING: CONT.	
FRAME: 213T		RPM: 1125		Hz: 60	PHASE: 3
VOLTAGE: 230/460/796V			DESIGN: D	P.F.: 0.67	
AMP: 10.0/5.0/2.9			NEMA NOM. EFF.: 82.4%		
DRIVE END BRG: 6308-ZZ		CODE: K	NEMA MIN. EFF.:		
OPP/END BRG: 6308-ZZ		S.F.: 1.15	INS CLASS: F		
MAX. AMB: 40° C		ENCL: TEFC			
MOTOR WEIGHT: 170LBS					

Note: F.L. = Full Load P.F. = Power Factor S.F. = Service Factor



North American Electric, Inc. 350 Vaiden Drive, Hernando, MS 38632
 Toll Free: 1-800-884-0405 Phone: 662-429-8049 Fax: 662-429-8546
www.naemotors.com