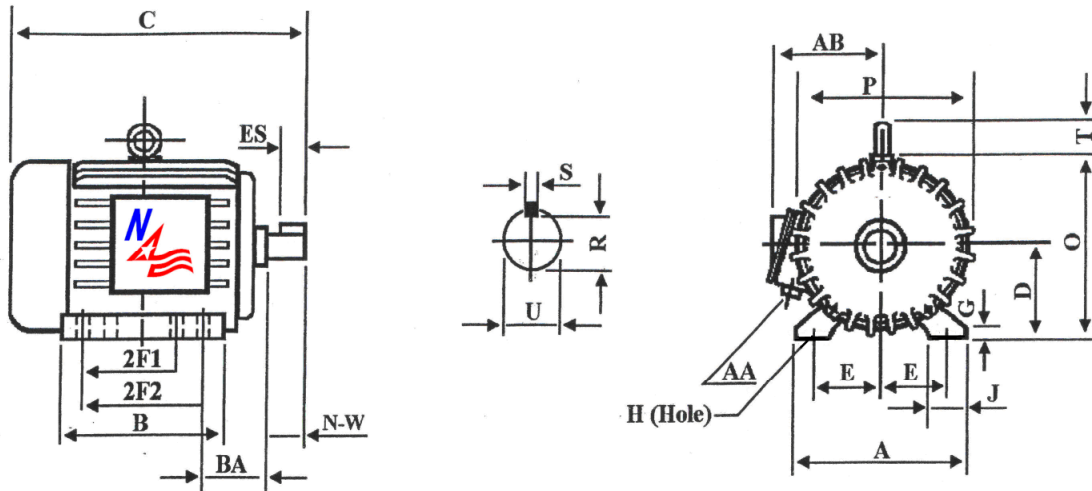


# OWP1205

## Special Purpose Oil Well Pump Motor

NEMA DESIGN D - THREE PHASE - HIGH TORQUE/HIGH SLIP (5-8%)



### DIMENSIONS – INCHES

A	B	C	D	E	2F1	2F2	G	H	J	O
10.5	9	20.9	5.25	4.25	5.5	7	0.7	0.41	2.35	10.5
P	R	S	T	U	ES	AA	AB	BA	N-W	Mount
11.4	1.201	0.312	1.97	1.375	2.41	1	10.8	3.5	3.38	F2

### PERFORMANCE DATA

Three Phase – 60Hz - 230/460/796V – NEMA Design D - Max. Ambient: 40° C

HP	Speed	Frame	NEMA Code	Efficiency (%)			Power Factor			Torque (ft-lb)		
				100%	75%	50%	100%	75%	50%	FLT	BDT	LRT
5	1080	215T	J	80.8	85.1	84.3	0.71	0.707	0.588	24.31	58.59	67.82
Amps ( 460V)		DE Bearing	ODE Bearing	Insulation Class	Enclosure Type	Service Factor	Weight (lbs)					
FLA	LRA											
8.1	35.9	6308-ZZ	6308-ZZ	F	TEFC	1.15	205					



North American Electric, Inc. 350 Vaiden Drive, Hernando, MS 38632

Toll Free: 1-800-884-0405 Phone: 662-429-8049 Fax: 662-429-8546

[www.naemotors.com](http://www.naemotors.com)



**60 Hz DATA FOR 3 PHASE AC INDUCTION MOTOR AS IT APPEARS ON THE NAMEPLATE.**

## **OWP1205**

<b>CAT. NO: OWP1205</b>		<b>HP: 5</b>		<b>RATING: CONT.</b>	
<b>FRAME: 215T</b>		<b>RPM: 1080</b>		<b>Hz: 60</b>	<b>PHASE: 3</b>
<b>VOLTAGE: 230/460/796V</b>			<b>DESIGN: D</b>	<b>P.F.: 0.710</b>	
<b>AMP: 16.2/8.1/4.7</b>			<b>NEMA NOM. EFF.: 80.8%</b>		
<b>DRIVE END BRG: 6308-ZZ</b>		<b>CODE: J</b>	<b>NEMA MIN. EFF.:</b>		
<b>OPP/END BRG: 6308-ZZ</b>		<b>S.F.: 1.15</b>	<b>INS CLASS: F</b>		
<b>MAX. AMB: 40° C</b>		<b>ENCL: TEFC</b>			
<b>MOTOR WEIGHT: 205LBS</b>					

**Note: F.L. = Full Load P.F. = Power Factor S.F. = Service Factor**



North American Electric, Inc. 350 Vaiden Drive, Hernando, MS 38632  
 Toll Free: 1-800-884-0405 Phone: 662-429-8049 Fax: 662-429-8546  
[www.naemotors.com](http://www.naemotors.com)