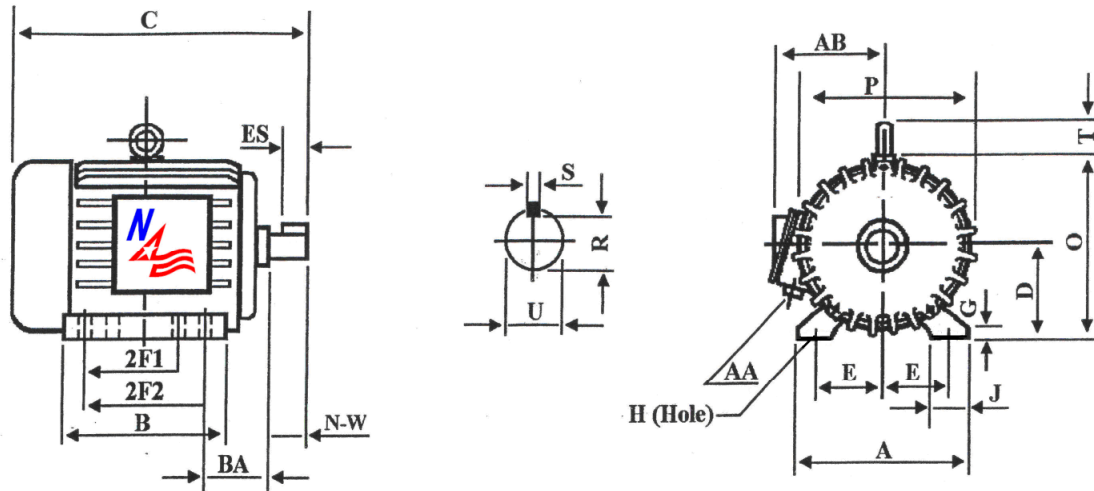


OWP12125

Special Purpose Oil Well Pump Motor

NEMA DESIGN D - THREE PHASE - HIGH TORQUE/HIGH SLIP (5-8%)



DIMENSIONS – INCHES

A	B	C	D	E	2F1	2F2	G	H	J	O
22	20.5	57.4	11	9	20	25	1.38	0.81	3.35	21.8
P	R	S	T	U	ES	AA	AB	BA	N-W	Mount
21.6	2.88	0.875	4.25	3.375	6.91	3	19.5	7.5	10.125	F2

PERFORMANCE DATA

Three Phase – 60Hz - 230/460/796V – NEMA Design D - Max. Ambient: 40° C

HP	Speed	Frame	NEMA Code	Efficiency (%)			Power Factor			Torque (ft-lb)		
				100%	75%	50%	100%	75%	50%	FLT	BDT	LRT
125	1090	447TZ	G	86.7	90.4	90.6	0.883	0.807	0.692	602.29	1590.05	2011.65
Amps (460V)		DE Bearing	ODE Bearing	Insulation Class	Enclosure Type	Service Factor	Weight (lbs)					
FLA	LRA											
147.6	894.1	6319	6319	F	TEFC	1.15	2367					



North American Electric, Inc. 350 Vaiden Drive, Hernando, MS 38632

Toll Free: 1-800-884-0405 Phone: 662-429-8049 Fax: 662-429-8546

www.naemotors.com



60 Hz DATA FOR 3 PHASE AC INDUCTION MOTOR AS IT APPEARS ON THE NAMEPLATE.

OWP12125

CAT. NO: OWP12125		HP: 125		RATING: CONT.	
FRAME: 447TZ		RPM: 1090		Hz: 60	PHASE: 3
VOLTAGE: 230/460/796V			DESIGN: D	P.F.: 0.883	
AMP: 295.2/147.6/85.3			NEMA NOM. EFF.: 86.7%		
DRIVE END BRG: 6319		CODE: G	NEMA MIN. EFF.:		
OPP/END BRG: 6319		S.F.: 1.15	INS CLASS: F		
MAX. AMB: 40° C		ENCL: TEFC			
MOTOR WEIGHT: 2367LBS					

Note: F.L. = Full Load P.F. = Power Factor S.F. = Service Factor



North American Electric, Inc. 350 Vaiden Drive, Hernando, MS 38632
 Toll Free: 1-800-884-0405 Phone: 662-429-8049 Fax: 662-429-8546
www.naemotors.com