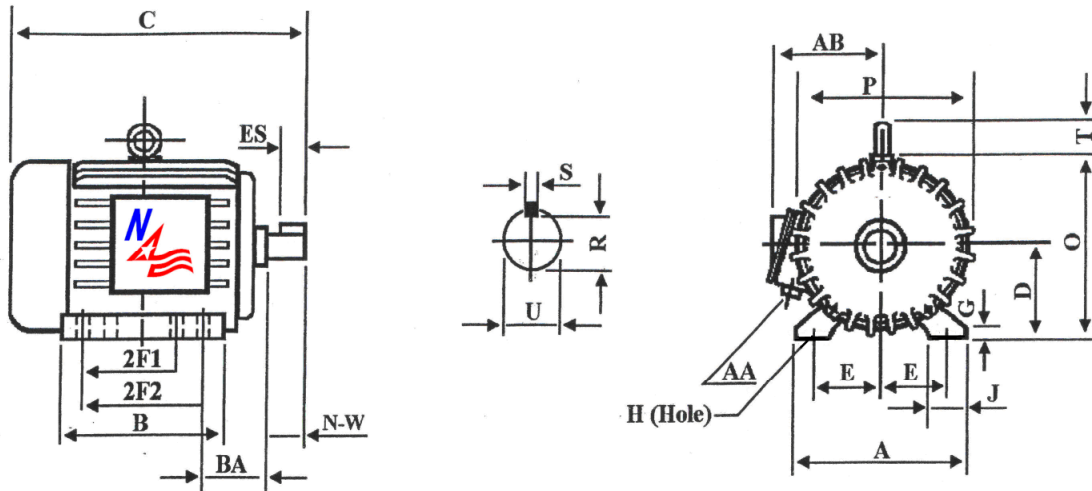


OWP1215

Special Purpose Oil Well Pump Motor

NEMA DESIGN D - THREE PHASE - HIGH TORQUE/HIGH SLIP (5-8%)



DIMENSIONS – INCHES

A	B	C	D	E	2F1	2F2	G	H	J	O
14	14	29.6	7	5.5	9.5	11	0.8	0.53	2.75	14.5
P	R	S	T	U	ES	AA	AB	BA	N-W	Mount
14.1	1.591	0.5	2.35	1.875	3.28	1.5	13.2	4.75	4.62	F2

PERFORMANCE DATA

Three Phase – 60Hz - 230/460/796V – NEMA Design D - Max. Ambient: 40° C

HP	Speed	Frame	NEMA Code	Efficiency (%)			Power Factor			Torque (ft-lb)		
				100%	75%	50%	100%	75%	50%	FLT	BDT	LRT
15	1120	284T	G	84.8	86.1	86.0	0.794	0.741	0.617	70.34	208.91	209.61
Amps (460V)		DE Bearing	ODE Bearing	Insulation Class	Enclosure Type	Service Factor	Weight (lbs)					
FLA	LRA											
20.5	119.2	6310	6310	F	TEFC	1.15	487					



North American Electric, Inc. 350 Vaiden Drive, Hernando, MS 38632

Toll Free: 1-800-884-0405 Phone: 662-429-8049 Fax: 662-429-8546

www.naemotors.com

60 Hz DATA FOR 3 PHASE AC INDUCTION MOTOR AS IT APPEARS ON THE NAMEPLATE.

OWP1215

CAT. NO: OWP1215		HP: 15		RATING: CONT.	
FRAME: 284T		RPM: 1120		Hz: 60	PHASE: 3
VOLTAGE: 230/460/796V			DESIGN: D	P.F.: 0.794	
AMP: 41.0/20.5/11.8			NEMA NOM. EFF.: 84.8%		
DRIVE END BRG: 6310		CODE: G		NEMA MIN. EFF.:	
OPP/END BRG: 6310		S.F.: 1.15		INS CLASS: F	
MAX. AMB: 40° C		ENCL: TEFC			
MOTOR WEIGHT: 487LBS					

Note: F.L. = Full Load P.F. = Power Factor S.F. = Service Factor

