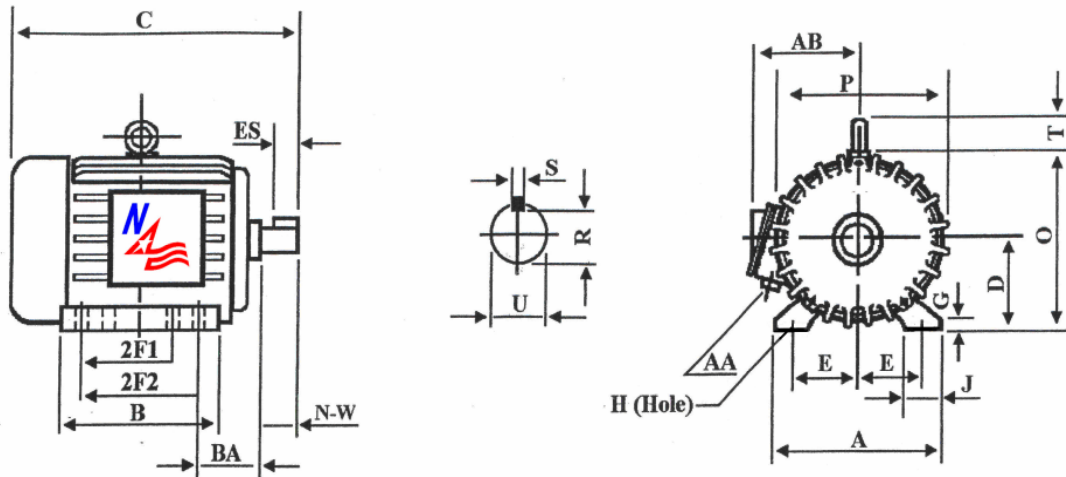


OWP12200

Special Purpose Oil Well Pump Motor

NEMA DESIGN D - THREE PHASE - HIGH TORQUE/HIGH SLIP (5-8%)



DIMENSIONS – INCHES

A	B	C	D	E	2F1	2F2	G	H	J	O
21.3	30.6	55.7	11	9	20	25	1.38	0.81	3.75	21.8
P	R	S	T	U	ES	AA	AB	BA	N-W	Mount
24	2.88	0.875	4.25	3.375	6.93	3	22.8	7.9	8.5	F2

PERFORMANCE DATA

Three Phase – 60Hz - 460V – NEMA Design D - Max. Ambient: 40° C

HP	RPM	Frame	NEMA Code	Efficiency (%)			Power Factor (%)			Torque (ft-lb)		
				100%	75%	50%	100%	75%	50%	FLT	BDT %	LRT%
200	1135	449T	H	91.3	92.1	91.8	0.895	0.82	0.70	925.5	275	2574
Amps (460V)		DE Bearing	ODE Bearing	Insulation Class	Enclosure Type	Service Factor	Weight (lbs)					
FLA	LRA											
230	1547	6319	6319	F	TEFC	1.15	2620					



North American Electric, Inc. 350 Vaiden Drive, Hernando, MS 38632

Toll Free: 1-800-884-0405 Phone: 662-429-8049 Fax: 662-429-8546

www.naemotors.com